

24076 Reedy Dr.
Elkhart, IN 46514
(574)-266-5551 (Office)
(574)-206-9296 (Fax)

TOUCHLESS – MOTORIZED GLIDE OUT ROOM INSTALLATION AND RECOMMENDATION MANUAL #400502

1. Cut the rough opening (i.e. R/O) into unit in which the Glide Out will be installed. Liftco determines the correct height and width dimension for this cutout for each individual floor. **Note:** If Glide Out is *not* being installed over a wheel-well the starting point for the height measurement for the cutout is from the top of the units **finished** floor (i.e. carpet, linoleum, tile, etc.) up to the correct given height (see illustration 2).
2. Install outer walls and flooring onto Glide Out floor. **Note:** Do not add more than 1/4" of siding material to each end of floor (see illustration 1A for R/O with 6-inch over-floor size or illustration 1B for R/O with 4-1/2 inch over-floor size).
3. Install verticals of wall frame into unit's rough opening, being sure the verticals are pressed tightly against rough-opening cutout. A caulk or seal is recommended where Glide Out frame meets unit wall. Fasten verticals to unit with appropriate mounting screws into all through holes provided in wall frame pieces.
4. Attach the bottom centerpiece of wall frame into unit's rough opening, being sure that the bottom centerpiece (*not* the guide rollers) sits approximately flush with the top of units **finished** floor (i.e. carpet, linoleum, tile, etc.). Additional sub-floor material may be required underneath the bottom centerpiece to achieve proper height *and* support (see illustration 2). **Note:** if mounting the bottom centerpiece onto a hard surface, relief "areas" must be provided for centerpiece press nuts that are located on the bottom of the centerpiece (see illustration 3A for flush mounted guides or illustration 3B for recessed mounted guides). If electrical in Glide Out floor is supplied (AC, DC or AC/DC), 7/8" diameter hole(s) need to be drilled for electric cables through sub-floor (see illustration 3A or 3B). The horizontal dimension for the electrical through hole(s) varies which is dependant on each different floor style and may be obtained by contacting Liftco directly, if need be. A caulk or seal should be used where bottom centerpiece meets unit wall. Fasten bottom centerpiece to unit with appropriate mounting screws by first using the through holes located on the top of the frame piece. Continue fastening piece to unit by using the through holes located on the front of the bottom centerpiece. Once installed, be sure that the guides are *not* angled in either an upward or downward direction (must be parallel with sub floor).
5. Install the top centerpiece, securing it into the unit's rough opening in a similar fashion as the bottom centerpiece.
6. Slightly loosen the four (per guide) hex head bolts securing the guide(s) to the bottom centerpiece (see illustration 3A or 3B). Guides should only be loose enough to allow the guide(s) to slightly move from side to side.

7. Raise and position Glide Out room to align the guide blades on bottom of Glide Out floor with the center of the guides mounted on the bottom centerpiece. On the Glide Out floor, remove both the inner and outer hairpin cotters and arm pins located on the sides of Glide Out room (see illustration 4).
8. If supplied, begin feeding the electric cable(s) mounted on the floor into the through hole(s) for the electrical elbow(s), located on the bottom centerpiece (see illustration 3A or 3B).
9. Carefully, slide room into rough opening being sure that the guide blades on floor are “nested” between the rollers mounted on the bottom centerpiece guides. As room begins to slide into opening of unit, pull the remainder of electric cable(s) (if supplied) through and into the unit until electrical elbow(s) stops against bottom centerpiece.
10. Attach the inner support arms by re-inserting the arm pin and *inner* hairpin cotter, removed in step 7, back into each side of the floor. Be sure inner hairpin cotters protrudes into arm pin support, through the arm pin and protrudes securely through other side of arm pin support. Slide support arm onto arm pin. Re-insert outer hairpin cotter securely through hole of arm pin. See illustration 4 for this process.
11. To attach outside support arms from wall frame to Glide Out room adjuster I-bolts, remove Nyloc nut from adjuster I-bolt (or located in supplied hardware kit). Nyloc nut is to be installed in the center of the support arm (see illustration 5). Turn the nut far enough in so the adjuster I-bolt protrudes 1/8” on the outside of the support arm. **DO NOT TIGHTEN.**
12. Push Glide Out room far enough into coach until the glide block is positioned over the wall frame bottom centerpiece as shown in illustration 6. If normal glide block is supplied on floor, install the 5/16” socket head bolts (located in supplied hardware kit) into the aluminum threaded block (see illustration 6A). This is to anchor the aluminum block to the press nuts located on the bottom centerpiece. When these bolts are installed for a final installation, a mild lock tight should be used to keep bolts from backing out. **Do not tighten these all the way down.** Only turn bolts in approximately 1/4” below the top of the aluminum block. This is to allow the aluminum block to “float” up and down with the adjustment of the Glide Out room seal adjustment(s).
- 12a. (*cont.*): If threaded T-block is supplied on floor, install the 3/8” socket head shoulder screws (located in supplied hardware kit) into the aluminum T-block (see illustration 6B). This is to anchor the aluminum block to the press nuts located on the bottom centerpiece. When these bolts are installed for a final installation, a mild lock tight should be used to keep bolts from backing out. Snuggly tighten these all the way down. The aluminum T-block must be able to “float” up and down with the adjustment of the Glide Out room seal adjustment(s).

13. If electrical is supplied with the floor, from inside of Glide Out, locate and remove electrical access panel(s). Position room so that electrical elbow(s) are visible through access area (see illustration 7). Place the threaded end of the electrical elbow into its through hole located on the bottom centerpiece. Orientate the electrical elbow so that the cable is facing inwards (towards the center of the Glide Out). With the supplied 1-inch length self-taping style screw (located in the hardware kit), fasten the electrical elbow securely to the bottom centerpiece by screwing through the one free screw hole on the elbow and into the guide hole already located on the bottom centerpiece (see illustration 7). Be sure that the wire is orientated correctly as shown.
14. Make all remainder electrical connections as needed. If the Intellitec controller is supplied with the Glide Out Room, the mounting location of the Intellitec Control Unit and wall switch is up to the Glide Out installer. However, it is recommended that the Control Unit be mounted near the motor to minimize the length of heavy gauge wire used. See Illustration 8 for a typical wiring installation. **NOTE:** *whatever type of switch / controller is used; the motor must see a good 12 volts for proper operation.*
15. From inside of room, remove the access panel(s) located over each guide blade system. Run room all the way in and out to properly align room with guide system. Position room so that the guide system on bottom centerpiece is visible through access holes (see illustration 9).
16. Tighten all four hex head bolts per guide system (see illustration 9) and replace access panel(s).
17. On one end of the Acme threaded rod, the manual crank access hole is located on the outward edge of floor (which end is dependant on type and style of floor requested). An access hole through the finish material (i.e. outside trim molding, inside wood trim, carpet, etc.) must be put in place to gain access to the manual crank system (see illustration 10).
18. Finish installation of wipes and seals inside and outside. The style and type of seals used is up to the unit manufacturer.
19. Use Glide Out room floor adjusters at each end of floor for proper seal if needed (see illustration 5).

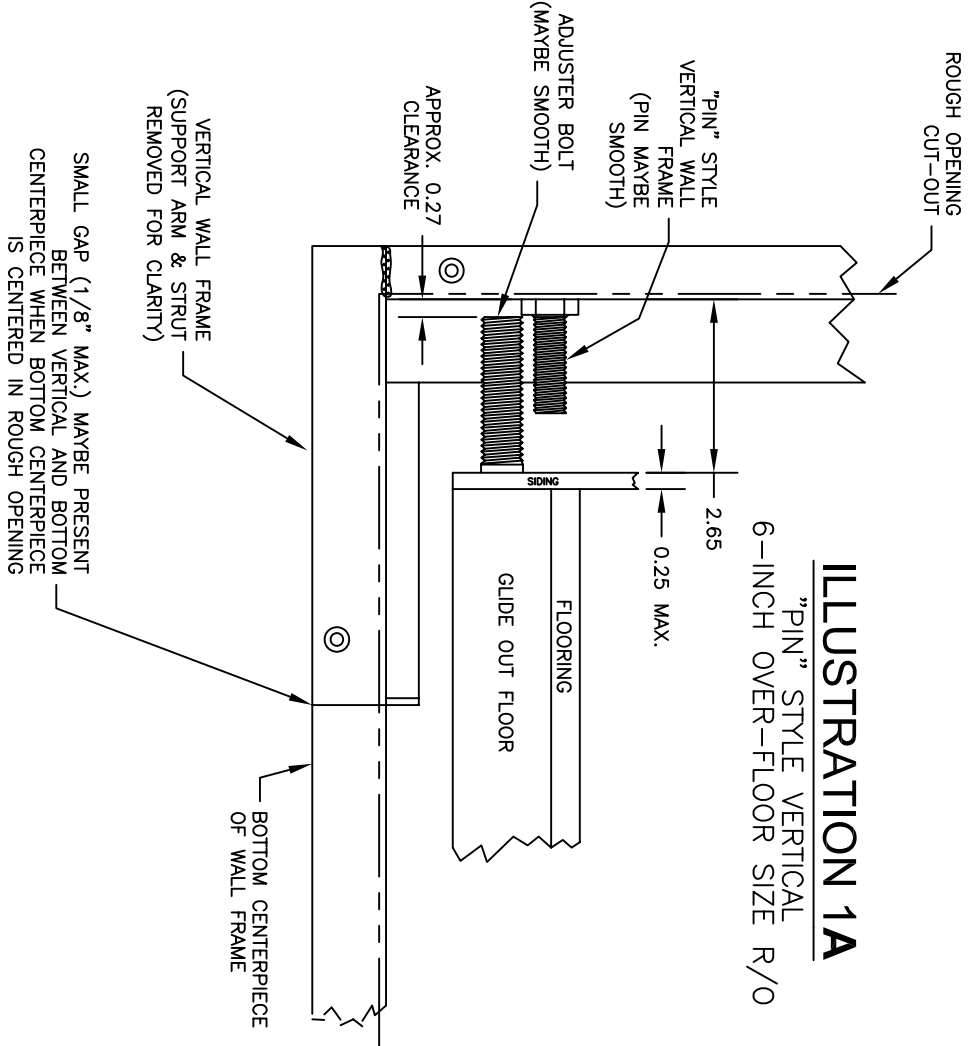


ILLUSTRATION 1A
 "PIN" style VERTICAL
 6-INCH OVER-FLOOR SIZE R/O

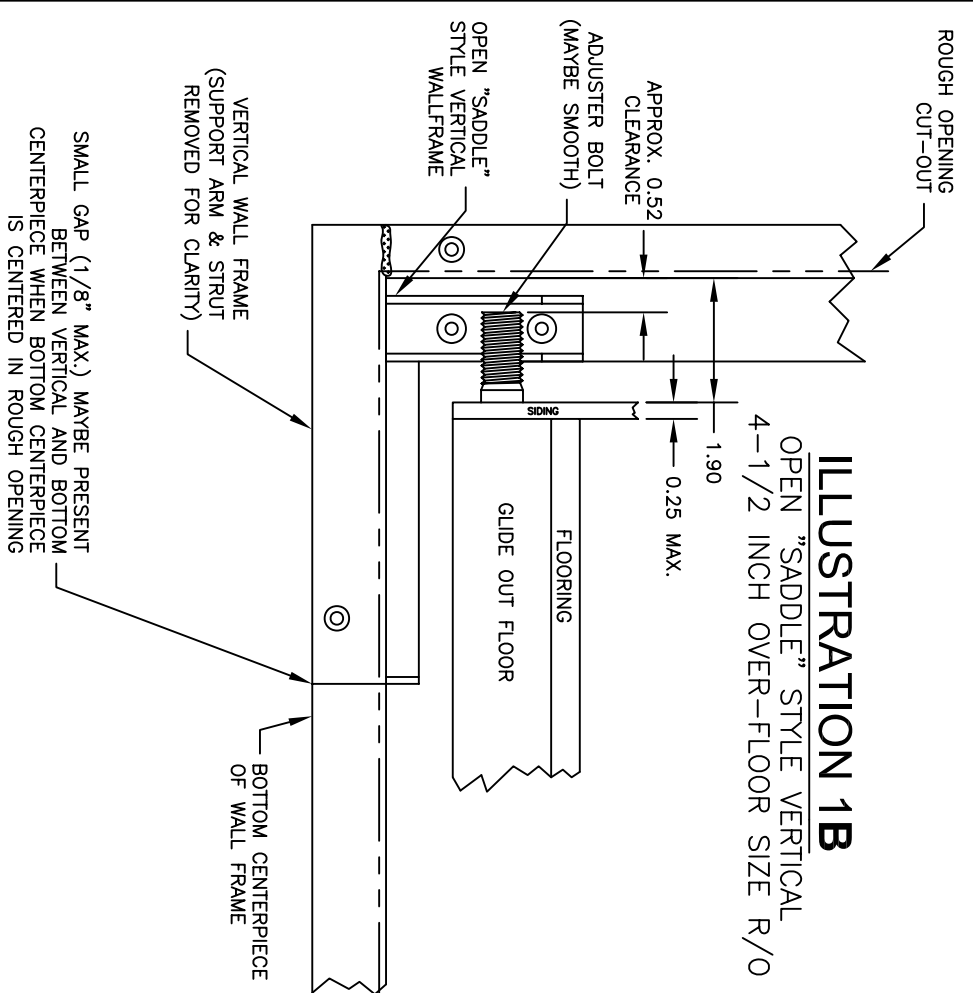


ILLUSTRATION 1B
 OPEN "SADDLE" style VERTICAL
 4-1/2 INCH OVER-FLOOR SIZE R/O

ILLUSTRATION 10

NOTE: ILLUSTRATION SHOWN FOR INSIDE ACCESS FOR MANUAL CRANK. DEPENDING ON STYLE AND TYPE OF FLOOR, ACCESS MAY BE LOCATED ON OUTSIDE OF FLOOR.

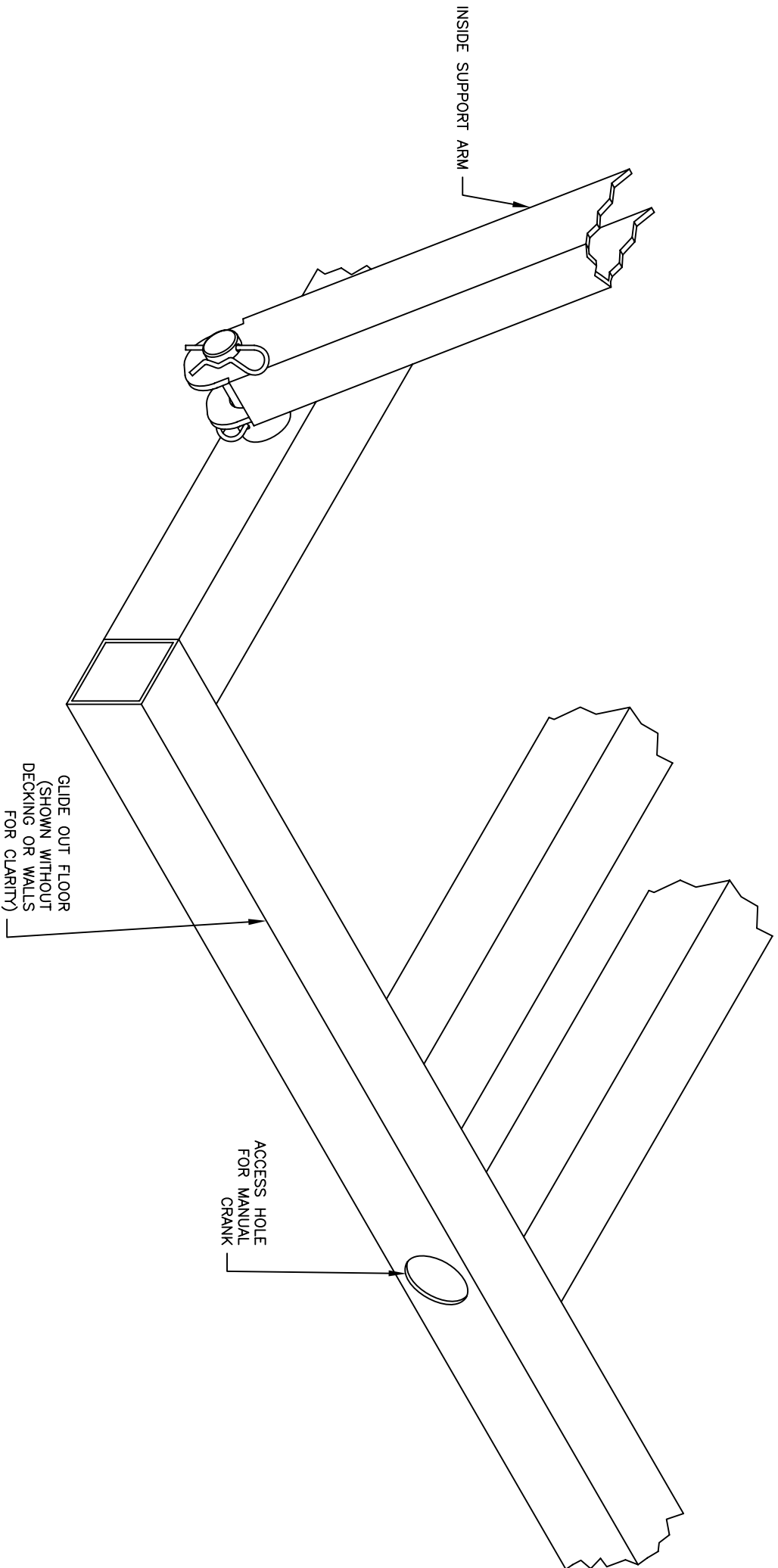
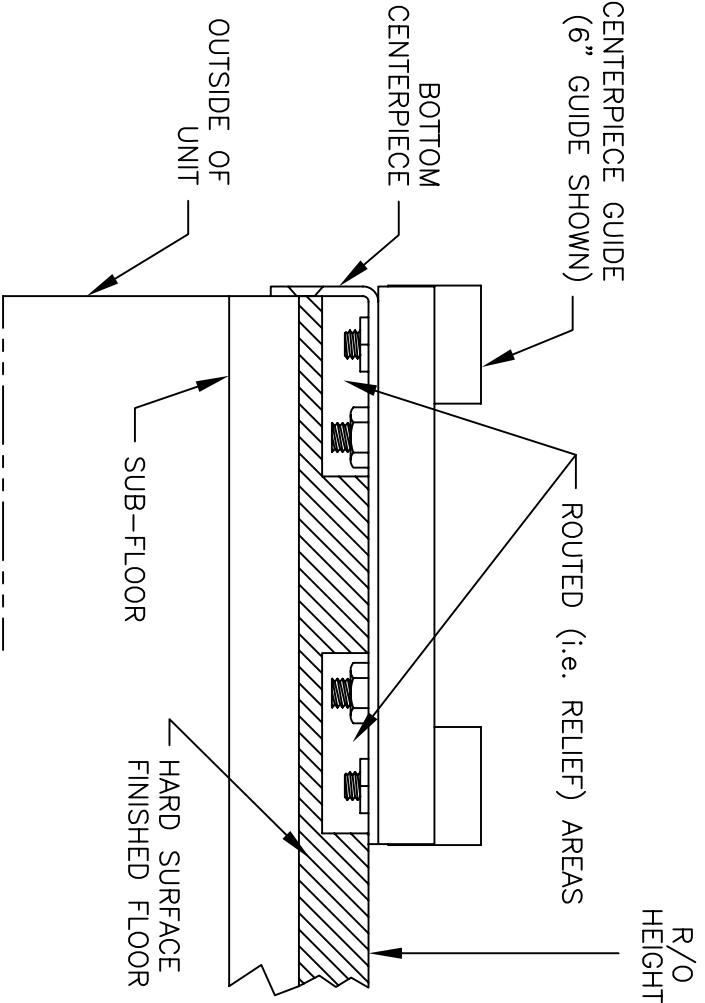


ILLUSTRATION 2

FINISHED HARDSURFACE
MOUNTING



CARPET STYLE
MOUNTING

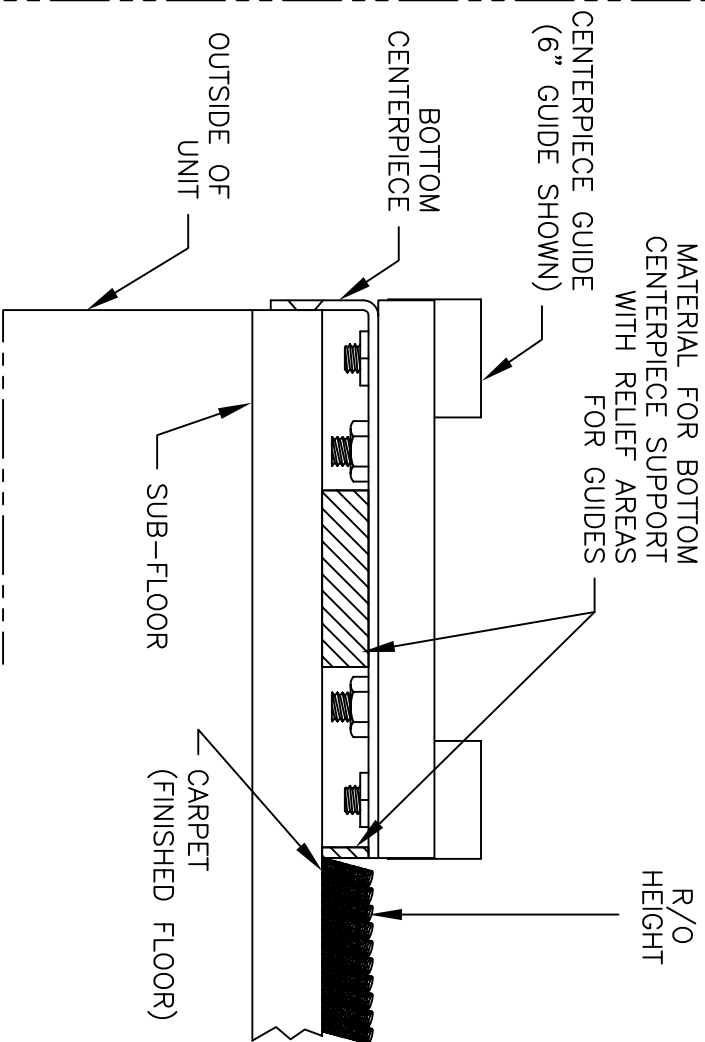
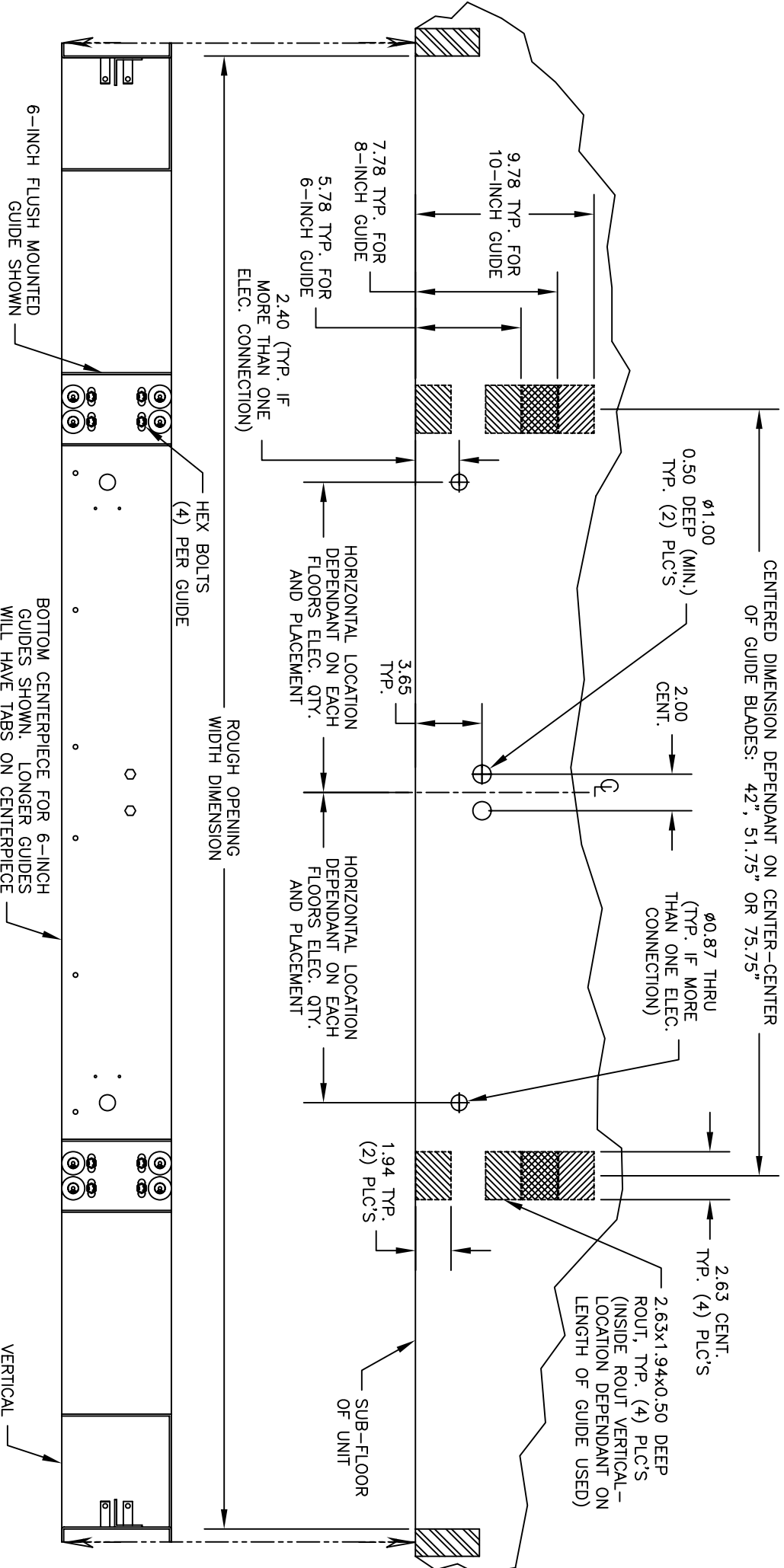
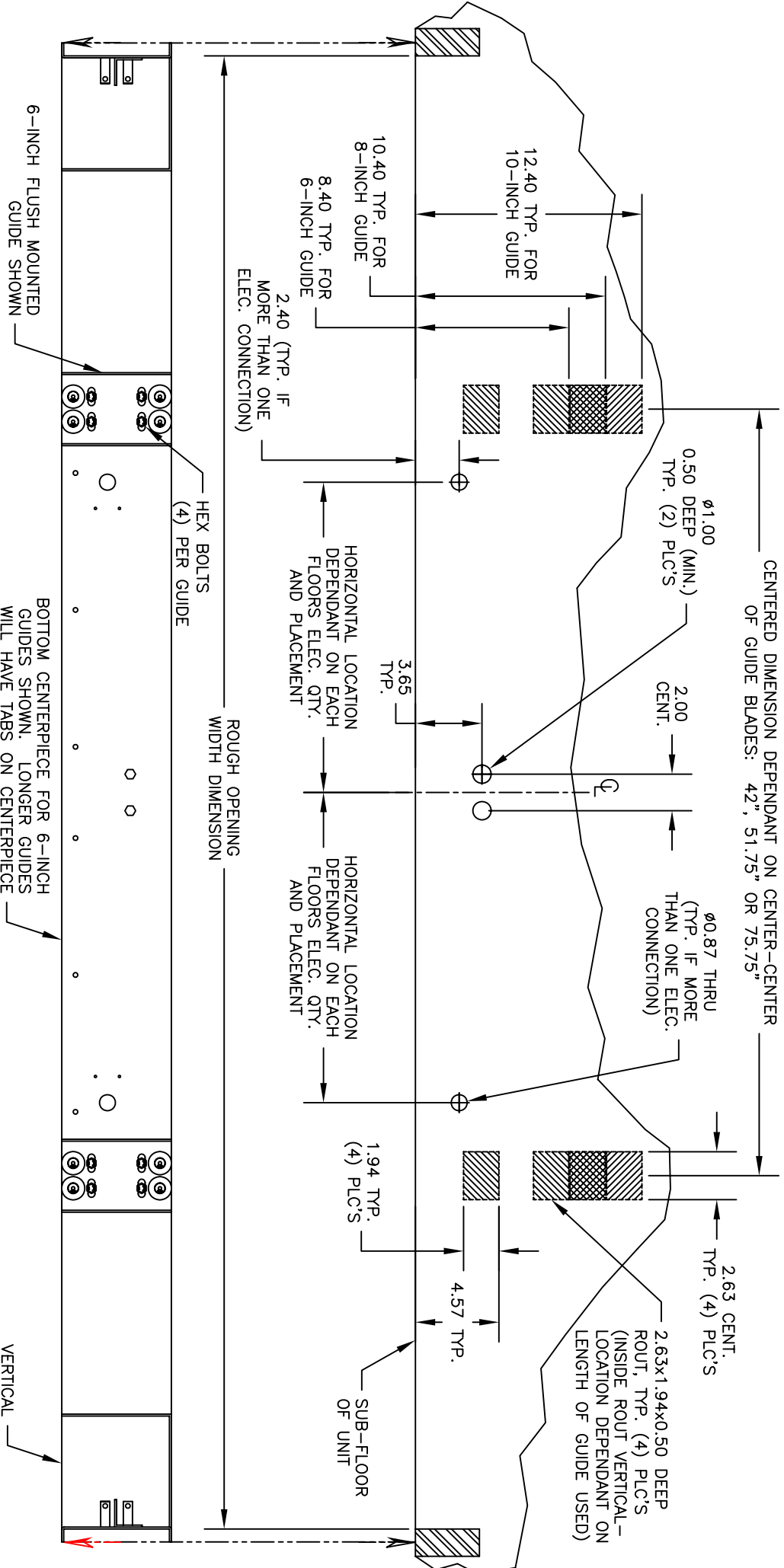


ILLUSTRATION 3A (FOR FLUSH MOUNTED GUIDES)



NOTE: ALL 0.50 DEEP ROUTS (RELIEF AREAS) ARE REQUIRED ONLY IF MOUNTING ON A FINISHED HARD SURFACE (:e. FINISHED WOOD, TILE, ETC.); THROUGH HOLES FOR ELECTRICAL (IF SUPPLIED) ARE REQUIRED ON ALL FLOORS.

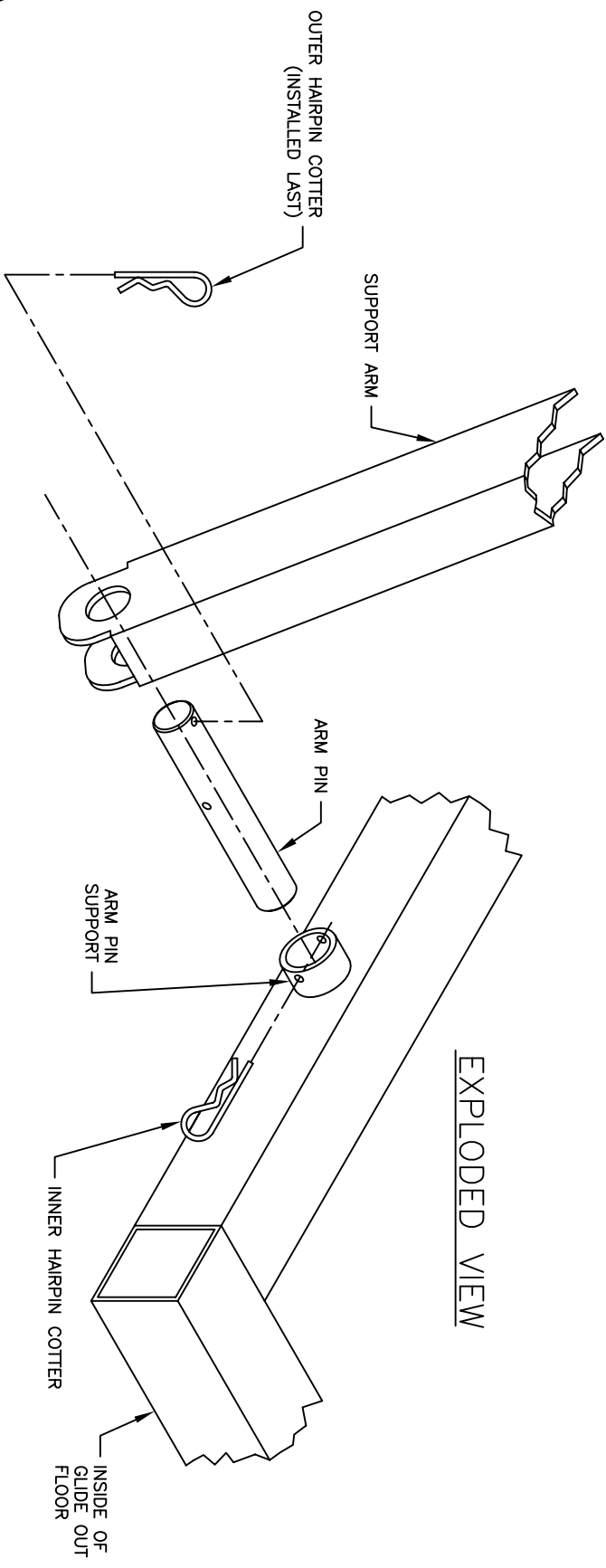
ILLUSTRATION 3B (FOR RECESSED MOUNTED GUIDES)



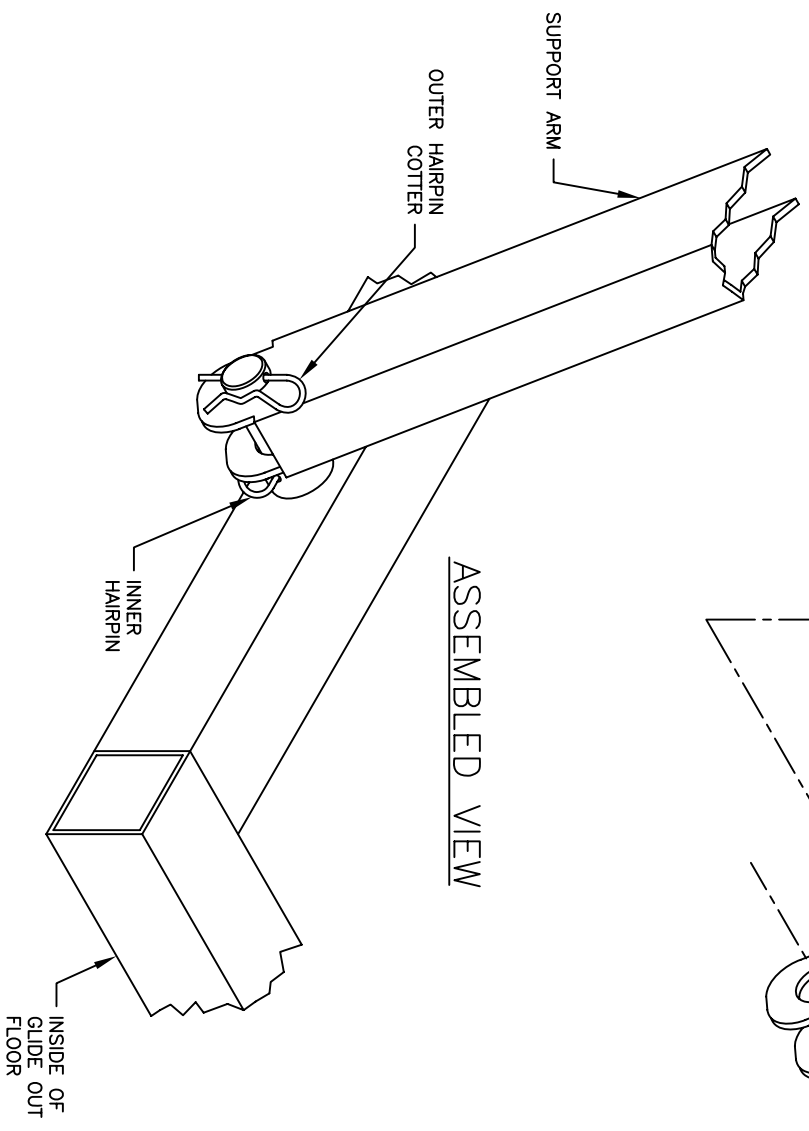
NOTE: ALL 0.50 DEEP ROUTS (RELIEF AREAS) ARE REQUIRED ONLY IF MOUNTING ON A FINISHED HARD SURFACE (:e. FINISHED WOOD, TILE, ETC.). THROUGH HOLES FOR ELECTRICAL (IF SUPPLIED) ARE REQUIRED ON ALL FLOORS.

ILLUSTRATION 4

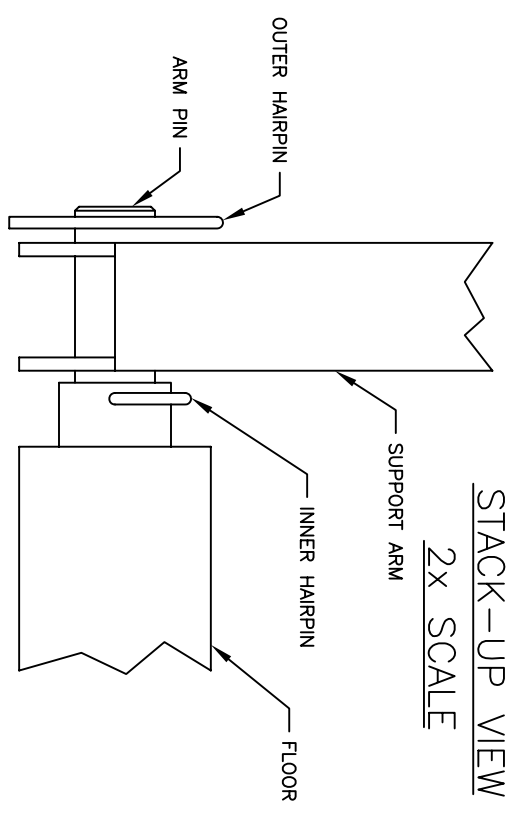
FOR INSIDE ARM(S) ONLY
 TYP. FOR BOTH SIDES



EXPLODED VIEW



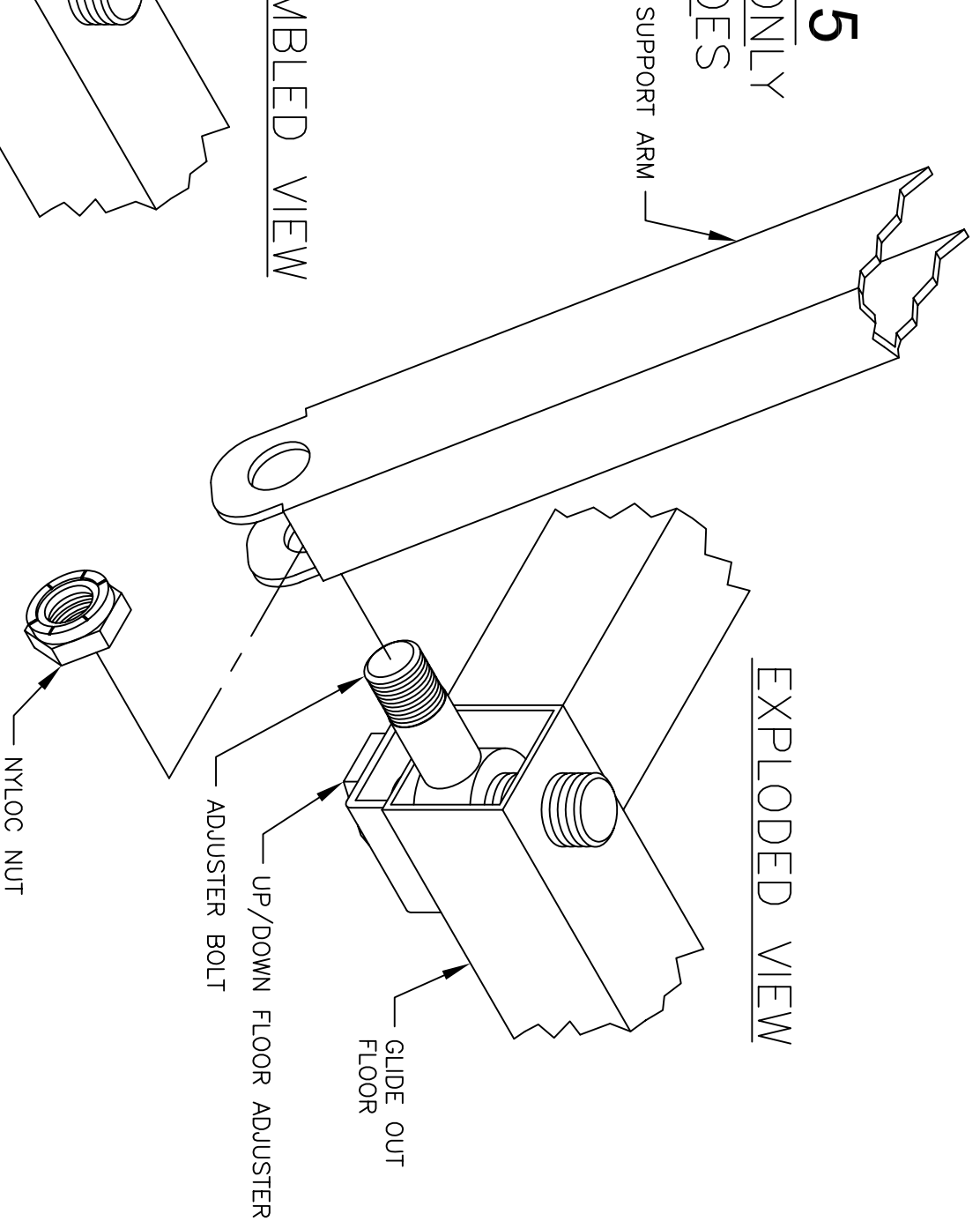
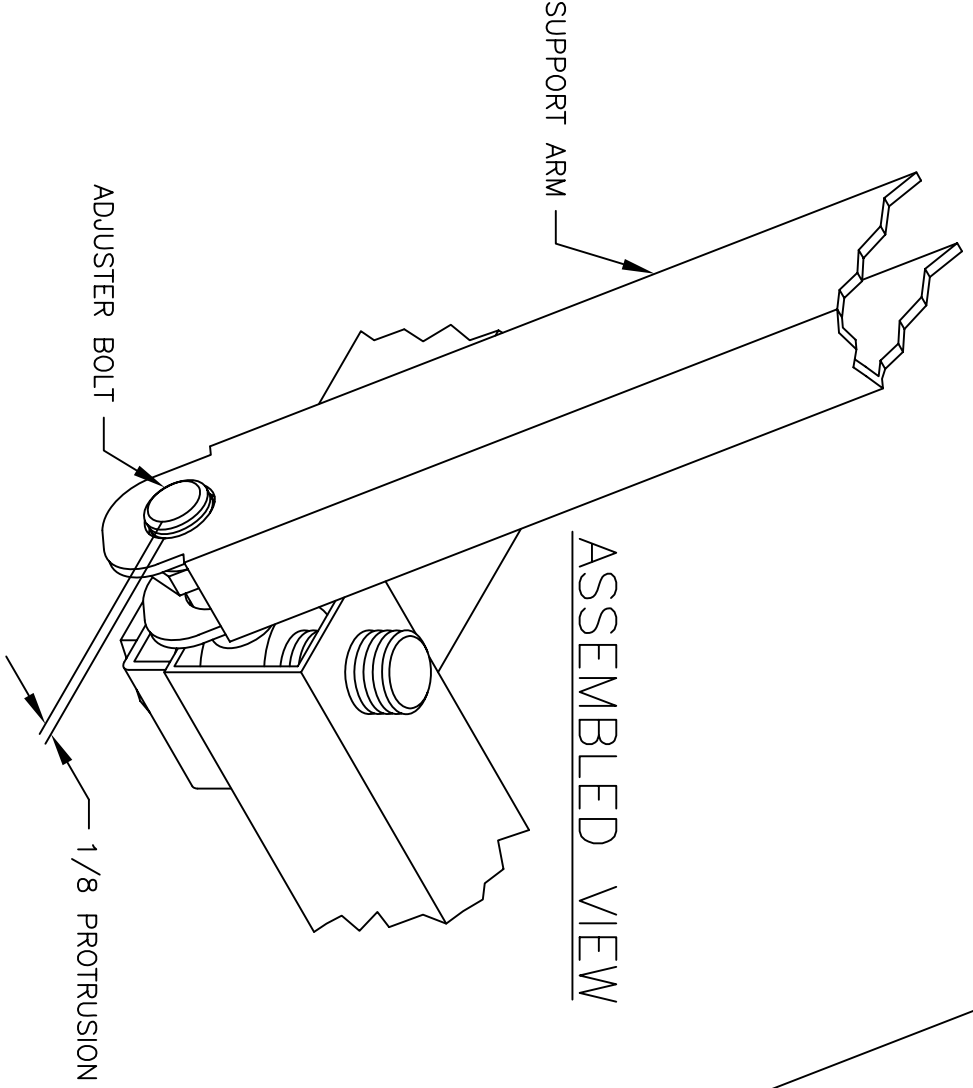
ASSEMBLED VIEW



STACK-UP VIEW
 2x SCALE

ILLUSTRATION 5

FOR OUTER ARMS ONLY
TYP. FOR BOTH SIDES



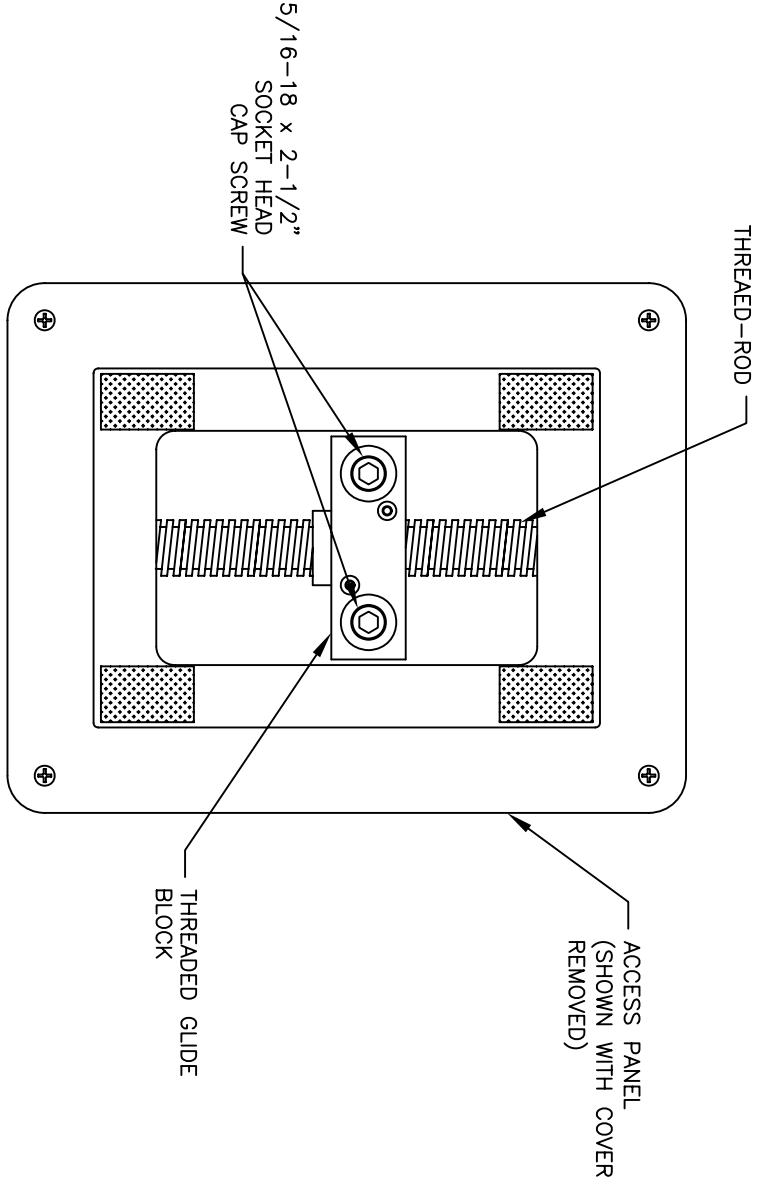


ILLUSTRATION 6A

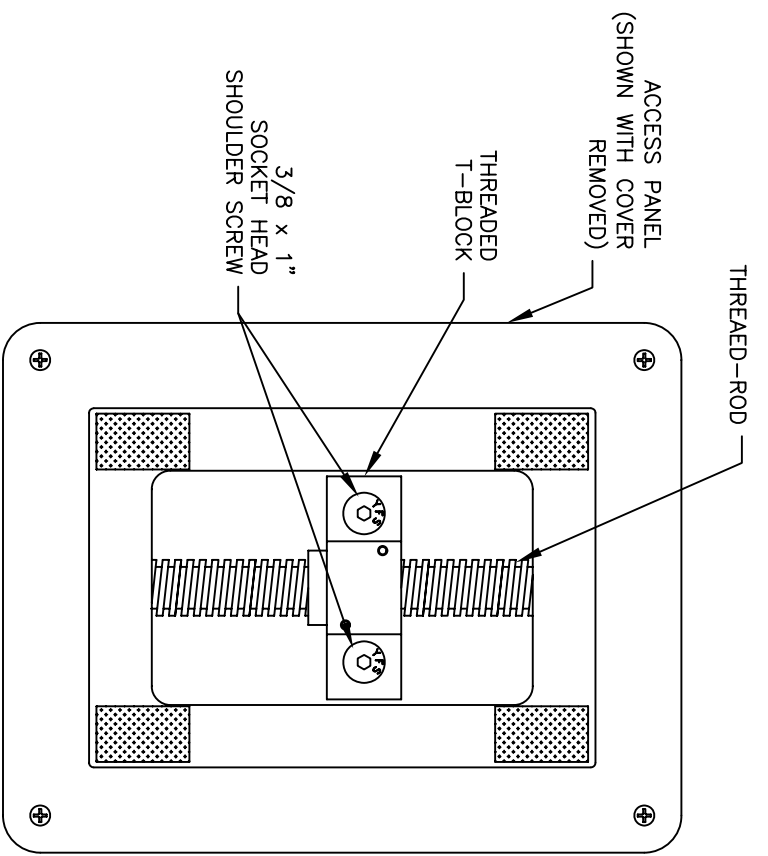
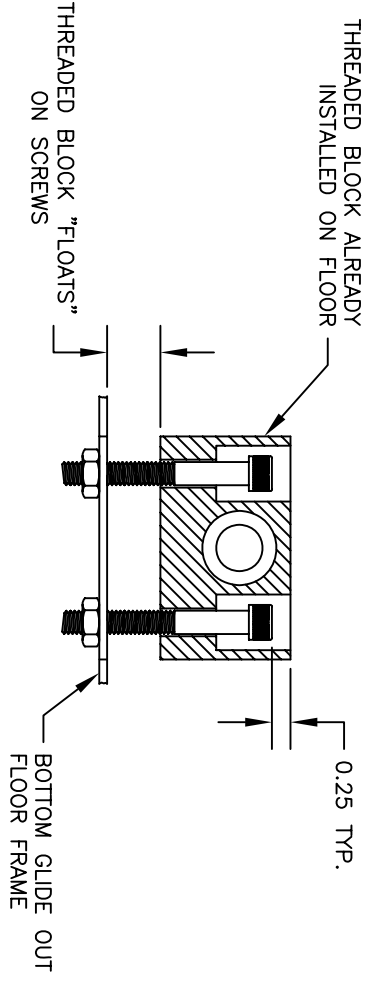


ILLUSTRATION 6B

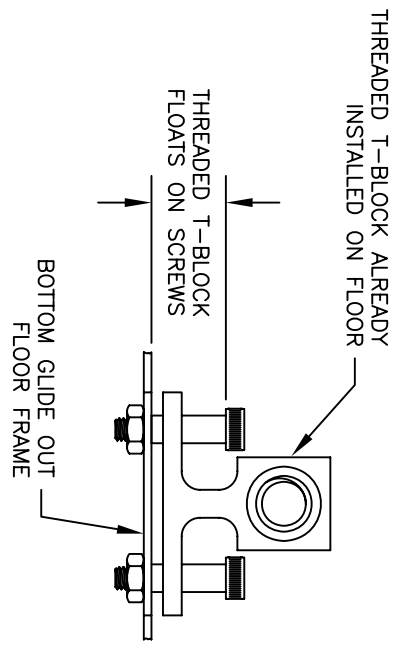
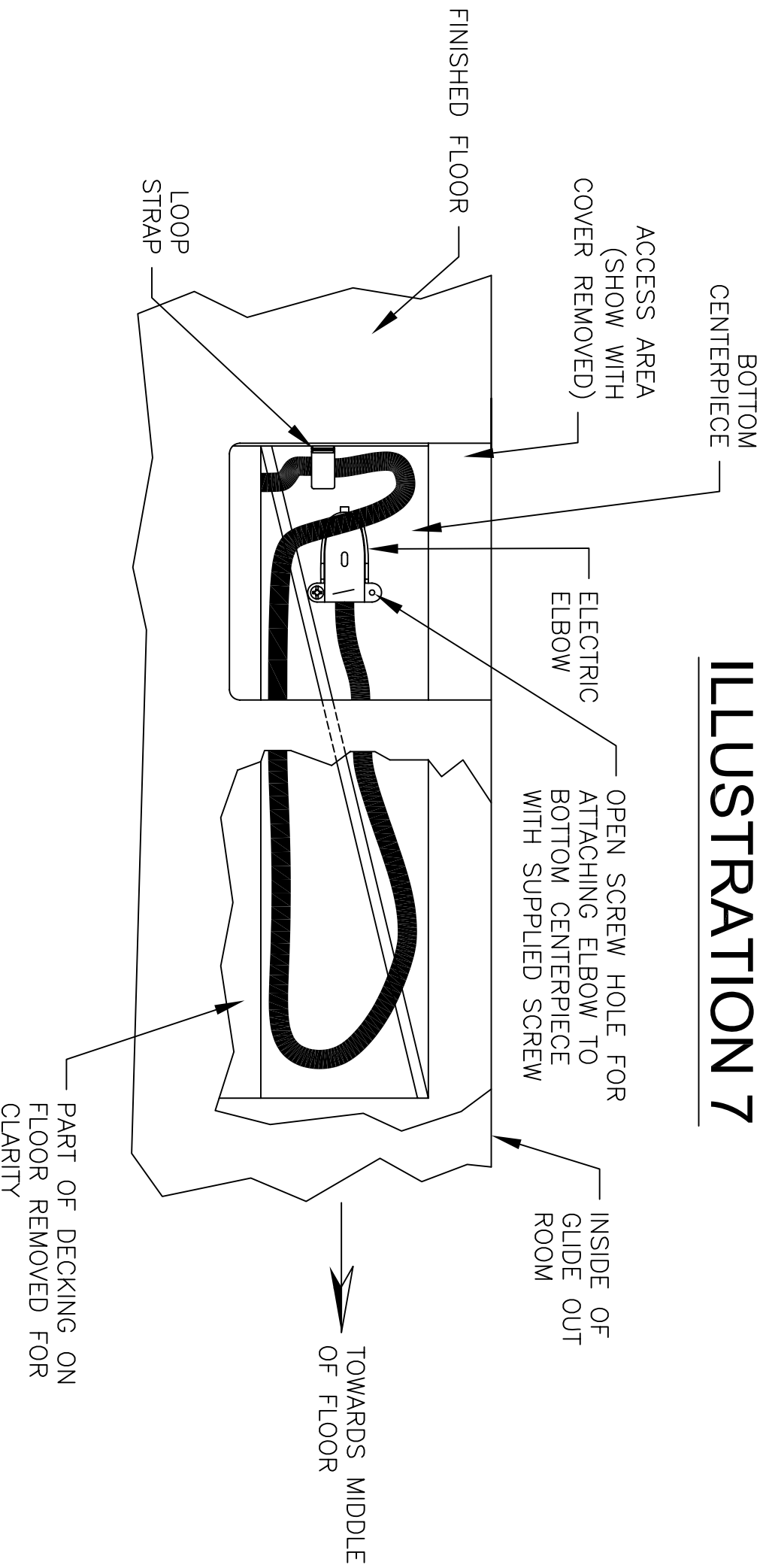
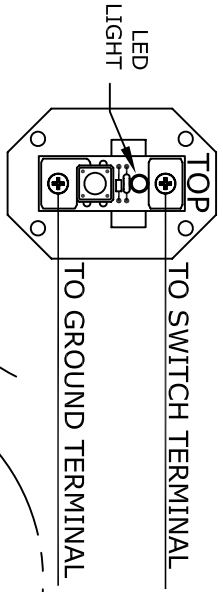


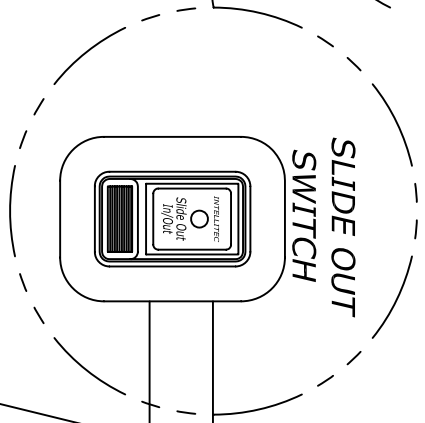
ILLUSTRATION 7



SLIDE OUT SWITCH
W/COVER REMOVED

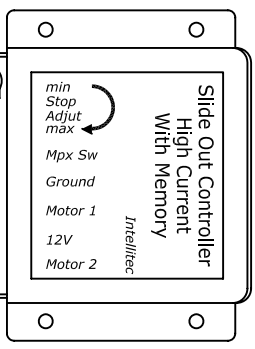


This wire cannot connect to ground anywhere else than at the control as shown.



CURRENT ADJUSTMENT

CONTROL UNIT



GROUND

+12 volts

ILLUSTRATION 8

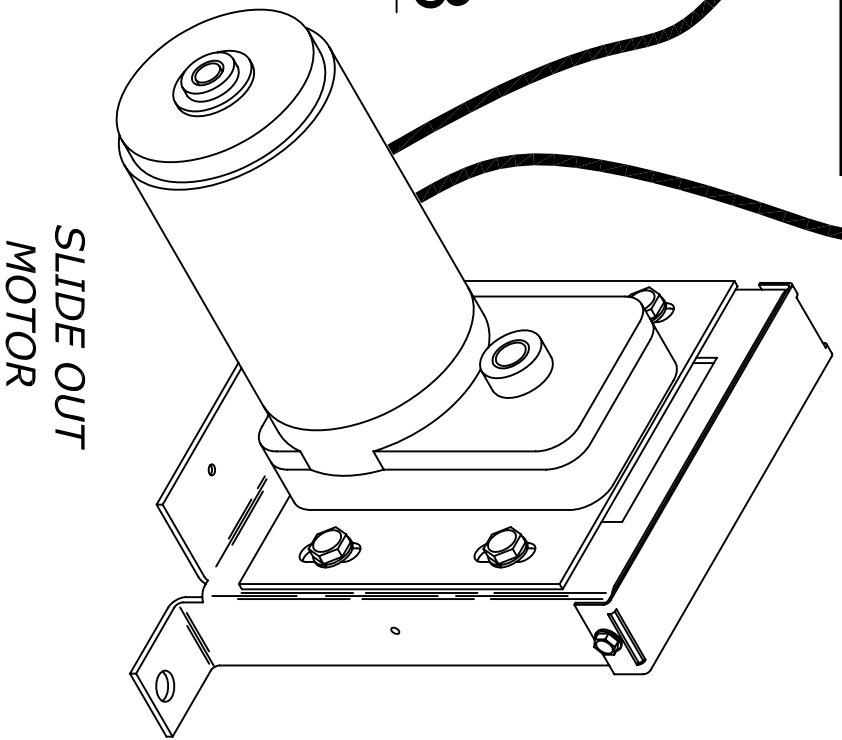


ILLUSTRATION 9

TYP. FOR BOTH SIDES

