

24076 Reedy Dr.
Elkhart, IN 46514
(219)-266-5551 (Office)
(219)-206-9296 (Fax)

NEW ELECTRICAL MOUNTING PLATE REPLACEMENT

1. From underneath coach, disconnect wires going from coach to electrical mounting plate(s).
2. From top of Glide-Out floor, remove access panel for electrical hook-ups.
3. Manually, move Glide-Out room so the electrical conduit elbow(s) can be seen through the access panel.
4. Remove screws from old electrical mounting plate(s) and pull entire electrical mounting plate up through access panel.
5. On Romex clamp connector, remove the two screws securing wire in place and unscrew clamp connector from electrical conduit elbow.
6. Remove Romex clamp connector from wire by cutting clamp in half, being sure not to cut into electrical wire.
7. Unscrew electrical conduit elbow from old base plate.
8. From below conduit elbow, pull disconnected end of wire up and through old base plate, but not through conduit elbow. Discard old base plate.
9. On new base plate, remove ¼-20 Allen head bolt, thread free end of wire through plate and slide plate up to conduit elbow.
10. Screw conduit elbow onto new base plate only two to three turns max. Elbow needs to be able to swivel on base plate. Replace ¼-20 Allen head bolt at this time.
11. Slide plastic coupling up wire and screw securely into place onto bottom of base plate.
12. Slide new Romex clamp connector up wire and screw securely into place on bottom of plastic coupling. Tighten the two screws on Romex clamp to secure wire.
13. With wire and base plate safely out of the way, drill 1-3/8" to 1-1/2" diameter hole centered on existing electrical wire hole to accommodate the diameter of the plastic coupling.
14. Thread wire and plastic coupling on bottom of base plate through newly drilled hole.
15. Position base plate *and* wire(s) as shown in Illustration 2 and screw plate securely into place. Be sure that wire(s) are not "twisted".
16. Reconnect wire(s) to coach.

ILLUSTRATION (1)

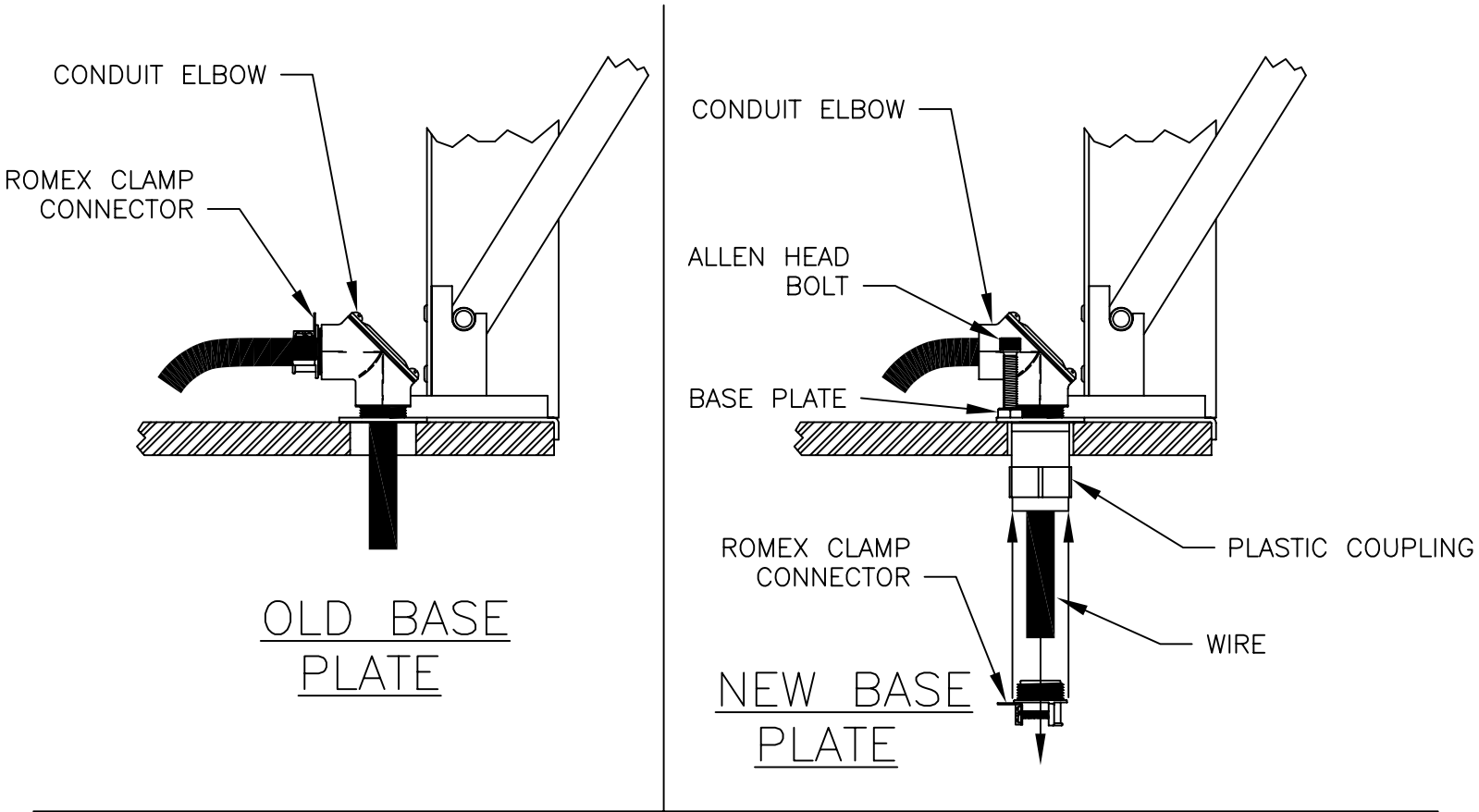


ILLUSTRATION (2)

FLOOR REMOVED FOR CLARITY
(TOP VIEW)

