



General maintenance

The Liftco slide out is a relatively easy slide to maintain, due to having minimal moving components. However there are basic maintenance that needs to be done to keep the slide in working order.

- 1- Keep the slide free of debris or other obstructions.
- 2- Level the vehicle before use
- 3- Keep the battery charged to maintain a 12 volt current to the motor

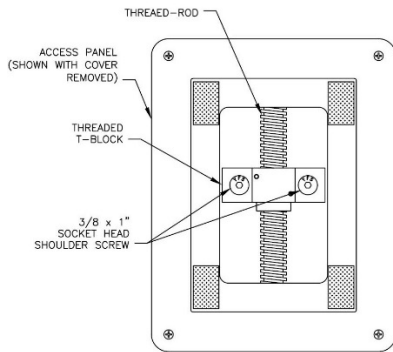
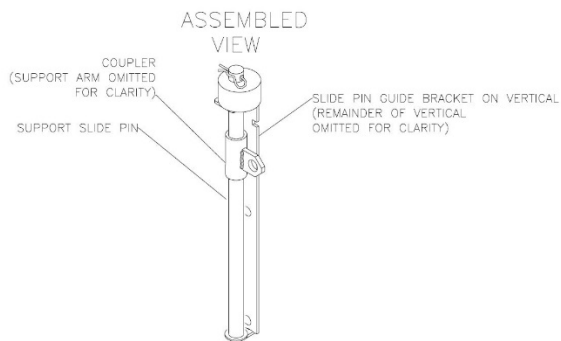
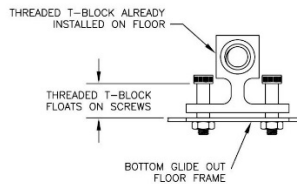
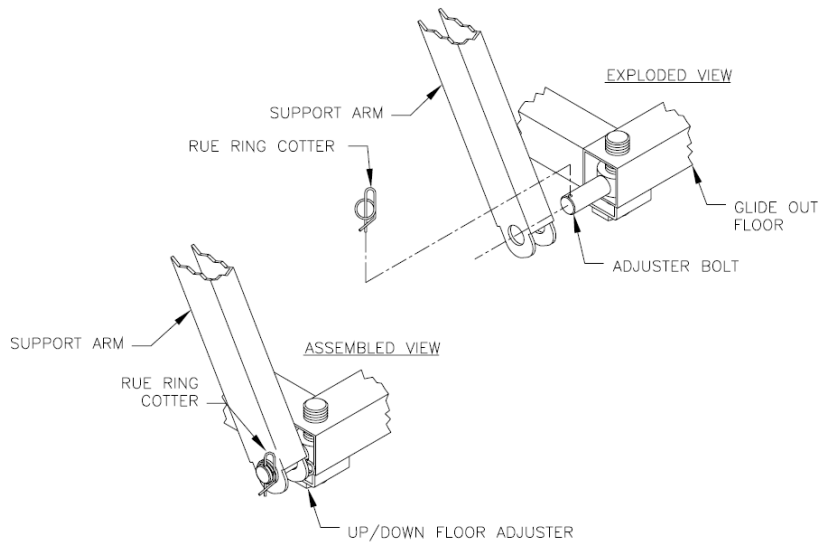


ILLUSTRATION 6B



6- Check seals for loose or torn sections



Just some basic maintenance will keep the Liftco slide in good working order for many years