

24076 Reedy Dr.
 Elkhart, IN 46514
 (574)-266-5551 (Office)
 (574)-206-9296 (Fax)

**MANUAL GLIDE OUT ROOM INSTALLATION AND
 RECOMMENDATION MANUAL #400501**

1. Cut the rough opening (i.e. R/O) for wall frame into unit in which the Glide Out will be installed. Liftco determines the correct height and width dimension for this cutout for each individual floor. Bottom location of R/O for wall frame is based on the finish material used as follows:

<u>Finish Material</u>	<u>Bottom R/O Location</u>
Carpet (3/8" thick max. compressed)	Sub Floor
Linoleum	Sub Floor or Top of Material
Wood	Top of Material
Tile	Top of Material

Note: *If a sill (i.e. "shim" / over wheel well) is used on bottom of R/O, opening is based on top of sill .

*If carpet *and* another type of finish material are used, Bottom R/O Location is at the top of finish material.

2. Install outer walls to Glide Out floor (and flooring if required). Note: Do not add more than 1/4" of siding material to each end of floor (see illustration 1A for R/O with 6-inch over-floor size or illustration 1B for R/O with 4-1/2 inch over-floor size).
3. For attaching verticals of wall frame into unit's rough opening, remove any carpeting from the location that the bottom of the vertical will be resting upon. Be sure the verticals are pressed tightly against rough-opening cutout. A caulk or seal is recommended where Glide Out frame meets unit wall. Fasten verticals to unit with appropriate mounting screws into all through holes provided in wall frame pieces.
4. For attaching the bottom centerpiece of wall frame, remove any carpeting from the location that the entire bottom centerpiece of wall frame will be attached to the sub-floor. One-inch diameter relief hole(s) must be provided first for centerpiece press nuts that are located on the bottom of the centerpiece wall frame (see illustration 2). Entire bottom centerpiece must sit even on unit. A caulk or seal is recommended where Glide Out wall frame meets unit wall. Fasten bottom centerpiece to unit with appropriate mounting screws by first using the through holes located on the top of the frame piece. Continue fastening piece to unit by using the through holes located on the front of the bottom centerpiece.
5. Install the top centerpiece in a similar fashion as the bottom centerpiece.

6. Note condition of main unit sub-floor. Note correct and incorrect condition of main unit sub-floor (See illustration 3). Main unit sub-floor must be perpendicular to Glide Out vertical wall frame. This is to insure proper Glide Out seal adjustment(s).
7. Raise Glide Out room to level of opening. To attach support arms from wall frame to Glide Out room adjuster I-bolts, remove Nyloc nut from adjuster I-bolt (or located in supplied hardware kit). Nyloc nut is to be installed in the center of the support arm (see illustration 4A). Turn the nut far enough in so the adjuster I-bolt protrudes approximately 1/8" on the outside of the support arm. **DO NOT TIGHTEN.** *Note: If verticals of wall frame are "open-saddle" style, be sure vertical support arm strut is properly seated into place on saddle of vertical (see illustration 4B).* Start to move Glide Out room into main unit slowly.

For the smoothed pinned adjuster I-bolts, remove both the outer rue ring cotter pin and one rubber O-ring (if supplied) located on each adjuster bolt(s). Slide arm(s) onto adjuster bolt(s). If equipped, be sure one of the two O-rings is between the inner hairpin cotter and the support arm. Slide the outside O-ring (if equipped) into adjuster bolt and re-insert outer rue ring cotter pin securely through outside hole of adjuster bolt (see illustration 4C).

8. If bottom centerpiece of wall frame is equipped with the guide arm system (see illustration 5), insert Guide Arm stud into hole provided in bottom of Glide Out floor. The washer is intended to give a pivotal surface between guide arm and the bottom of the floor. Once the Guide Arm stud is installed into the floor brackets, install the nyloc nut onto the stud from the topside of Glide Out room floor access holes. Turn the nut all the way down with 10 lbs. of torque. At this time, you must back off the nyloc nut ¼ to ½ turn. **DO NOT LEAVE TIGHT.**
9. Push Glide Out room far enough into coach until the glide block(s) are positioned over the press nuts in the bottom centerpiece the wall frame (see illustration 6). If normal glide block is supplied on floor, install the 5/16" socket head bolts (located in supplied hardware kit) into the aluminum threaded block (see illustration 6A). This is to anchor the aluminum block to the press nuts located on the centerpiece wall frame. When these bolts are installed for a final installation, a mild lock tight should be used to keep bolts from backing out. **Do not tighten these all the way down.** Only turn bolts in approximately 1/4" below the top of the aluminum block. This is to allow the aluminum block(s) to "float" up and down with the adjustment of the Glide Out room seal adjustment(s).

If threaded T-block is supplied on floor, install the 3/8" socket head shoulder screws (located in supplied hardware kit) into the aluminum T-block (see illustration 6B). This is to anchor the aluminum block to the press nuts located on the centerpiece wall frame. When these bolts are installed for a final installation, a mild lock tight should be used to keep bolts from backing out. Snuggly tighten these all the way down. The aluminum T-block(s) must be able to "float" up and down with the adjustment of the Glide Out room seal adjustment(s).

10. Finish installation of wipes and seals inside and outside as necessary. The style and type of seals used is up to the Glide Out installer.
11. Use Glide Out room floor adjusters at each end of floor for proper seal (see illustration 3). Floor roller(s) can also be moved up or down a hole (1/4") to aid in seal adjustment (see illustration 4).

Rev. 02-06-03

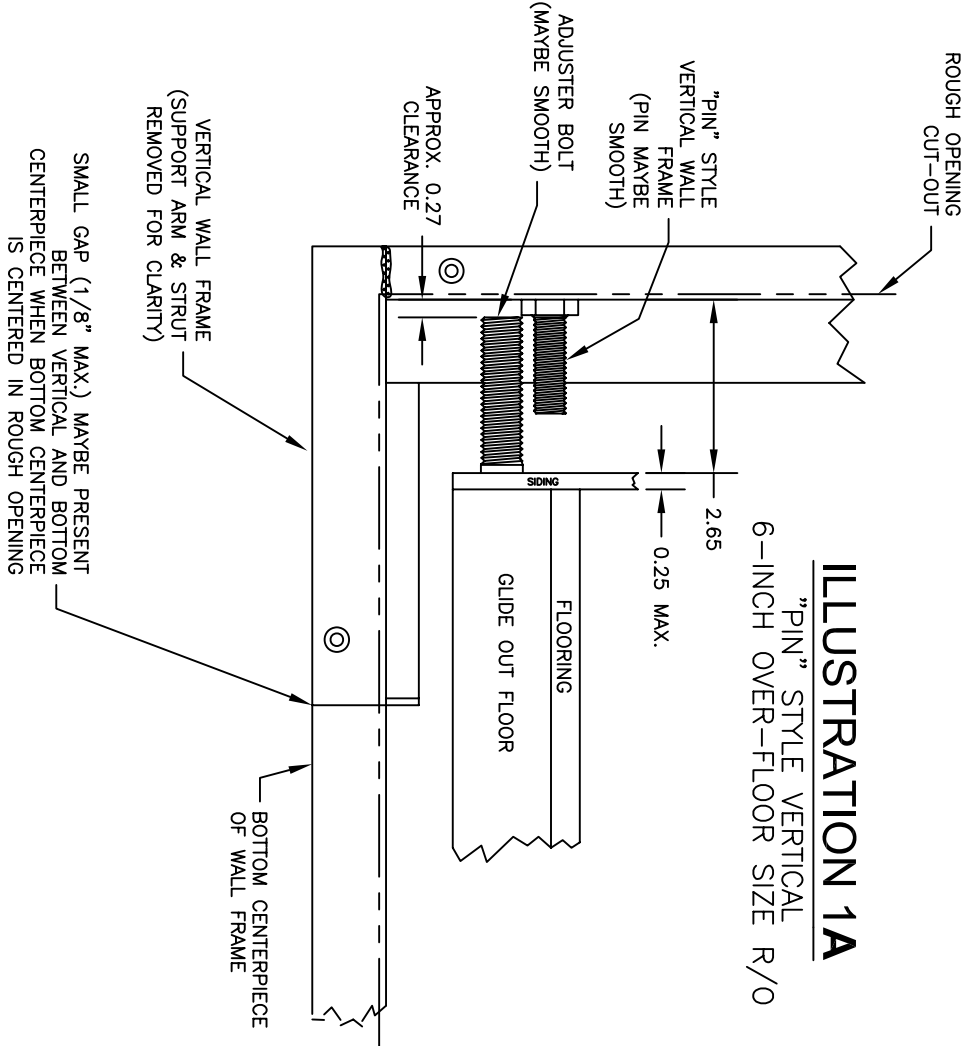


ILLUSTRATION 1A
 "PIN" STYLE VERTICAL
 6-INCH OVER-FLOOR SIZE R/O

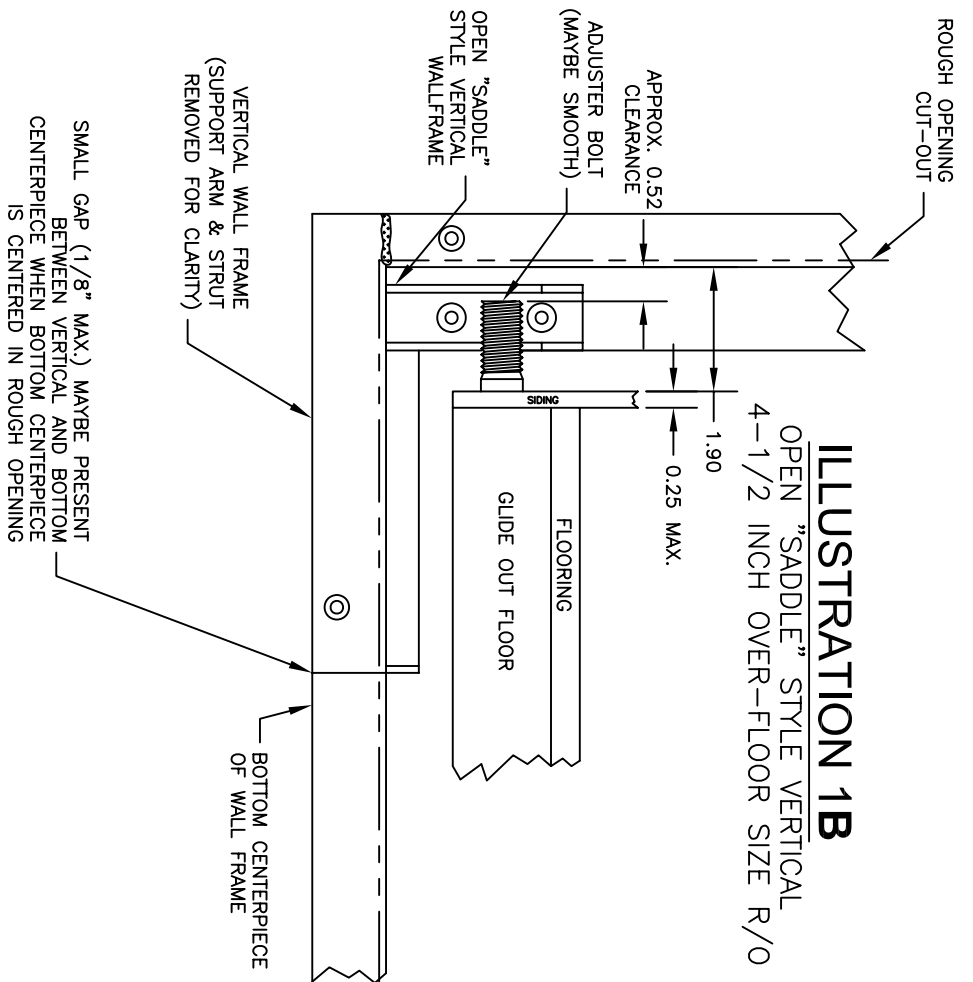


ILLUSTRATION 1B
 OPEN "SADDLE" STYLE VERTICAL
 4-1/2 INCH OVER-FLOOR SIZE R/O

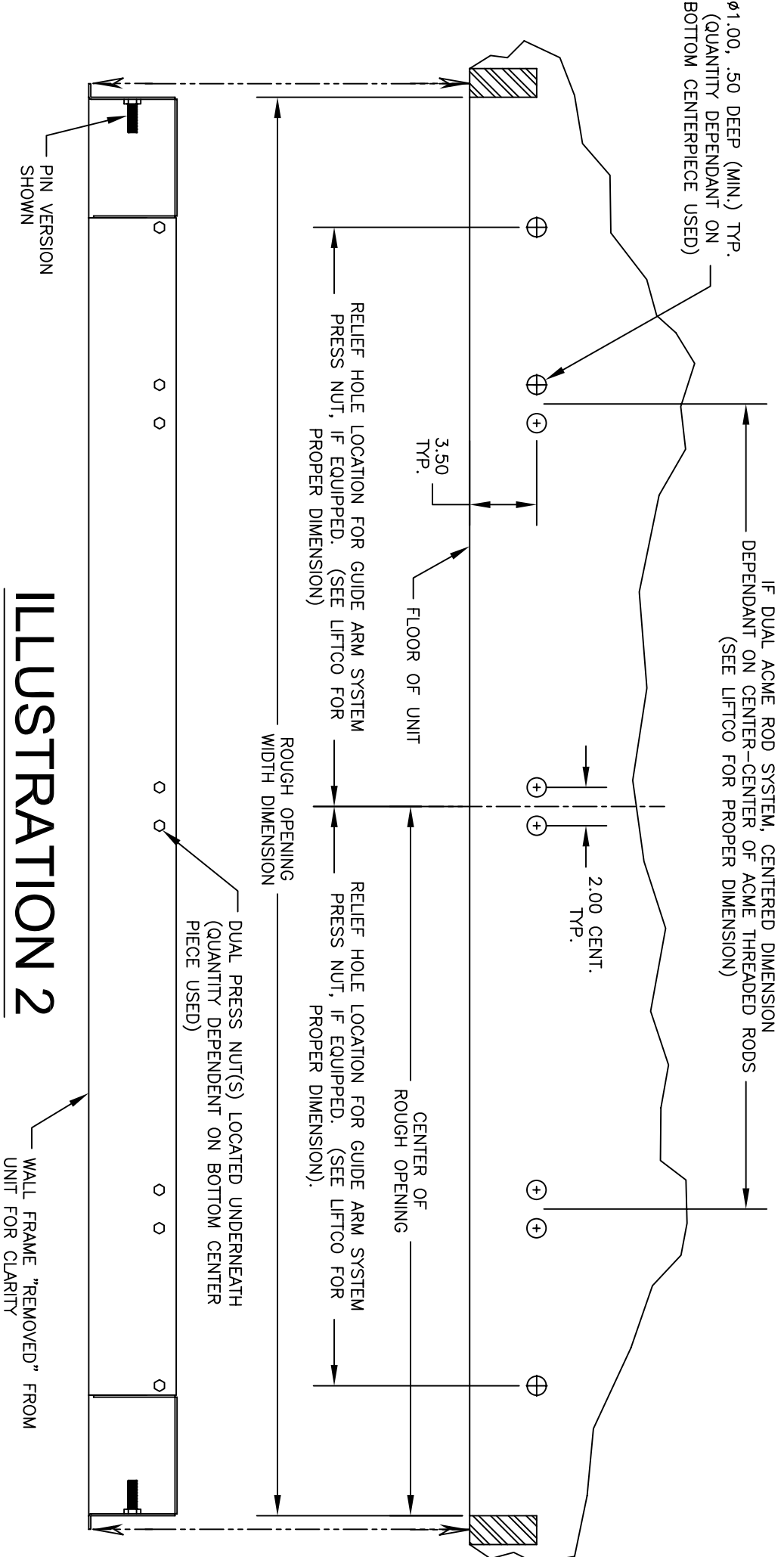


ILLUSTRATION 2

ILLUSTRATION 3

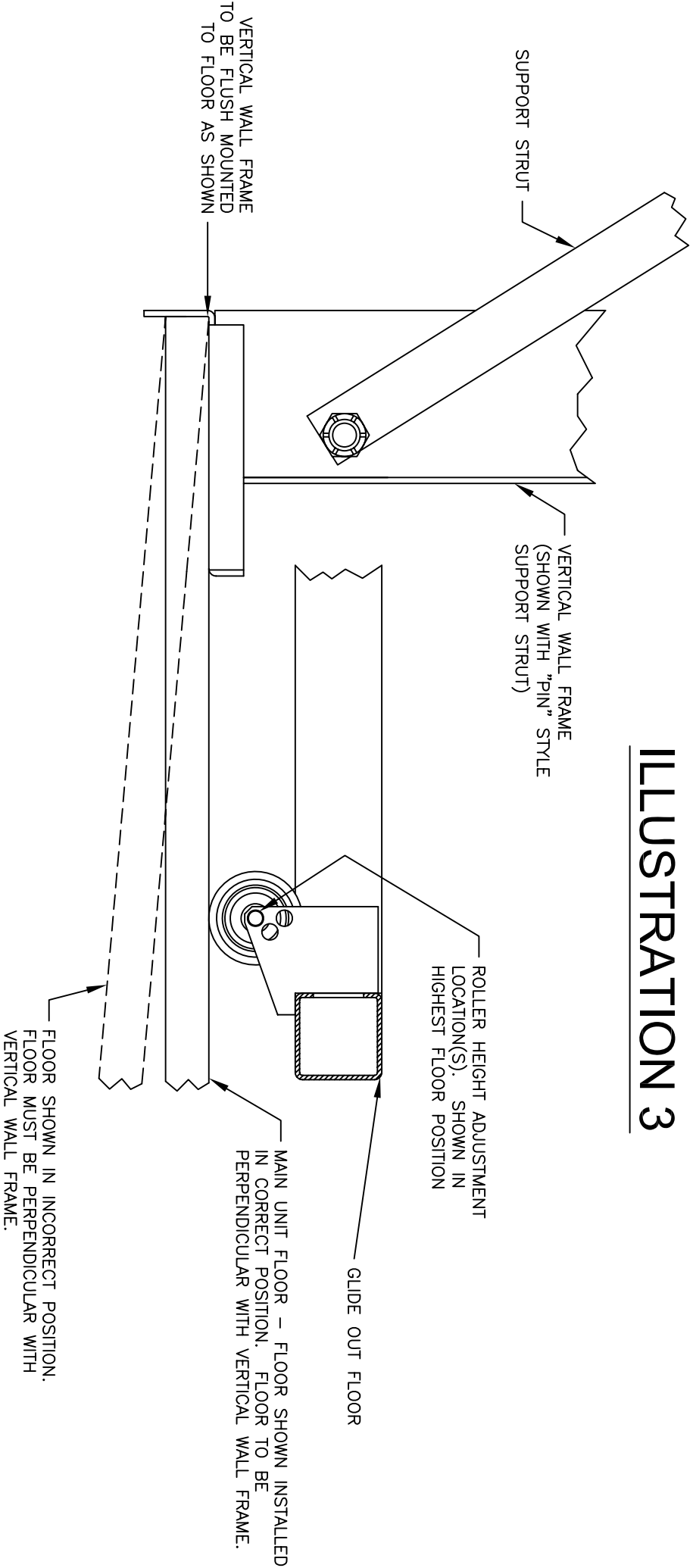


ILLUSTRATION 4A

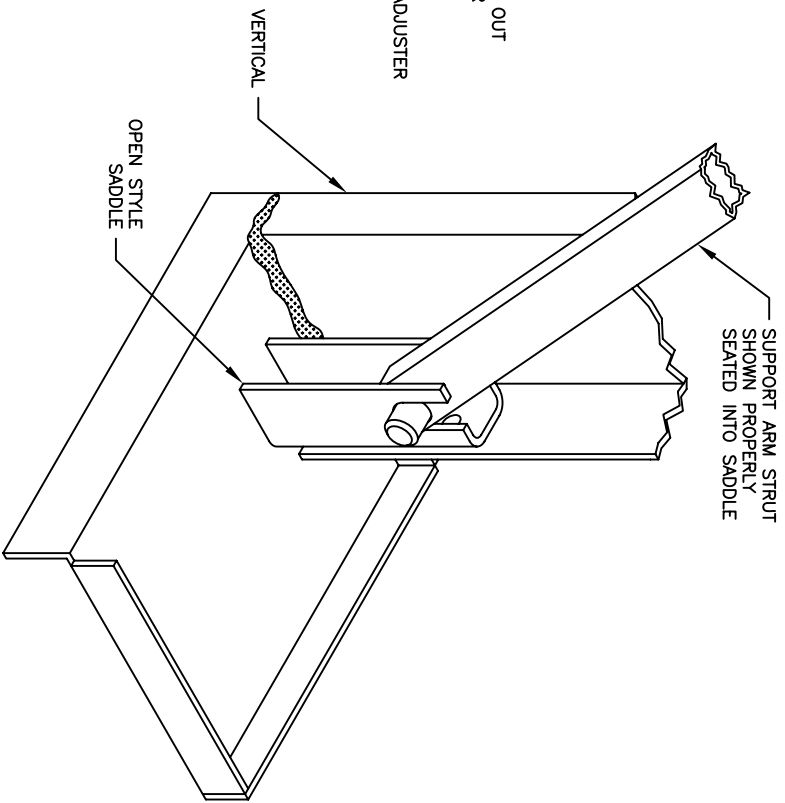
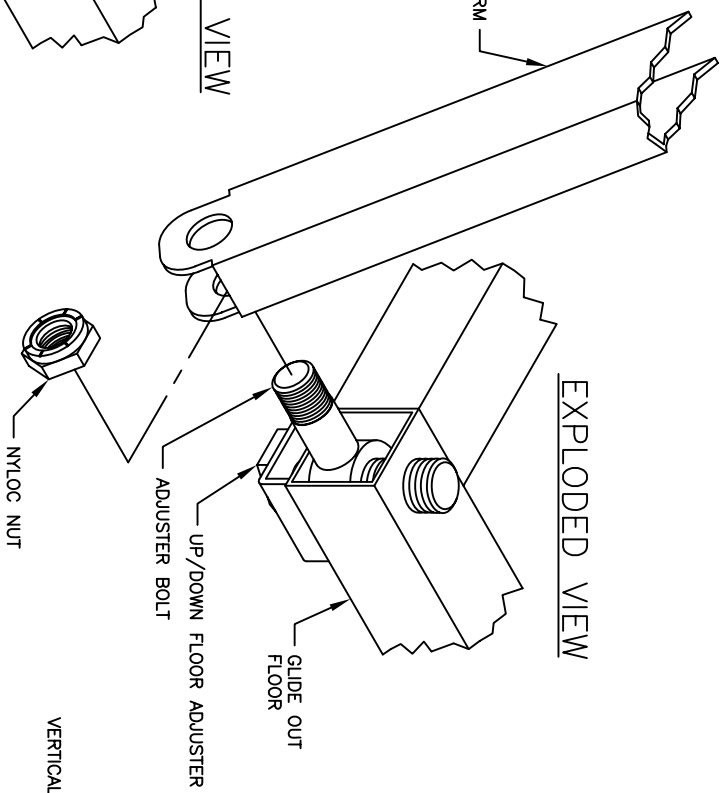
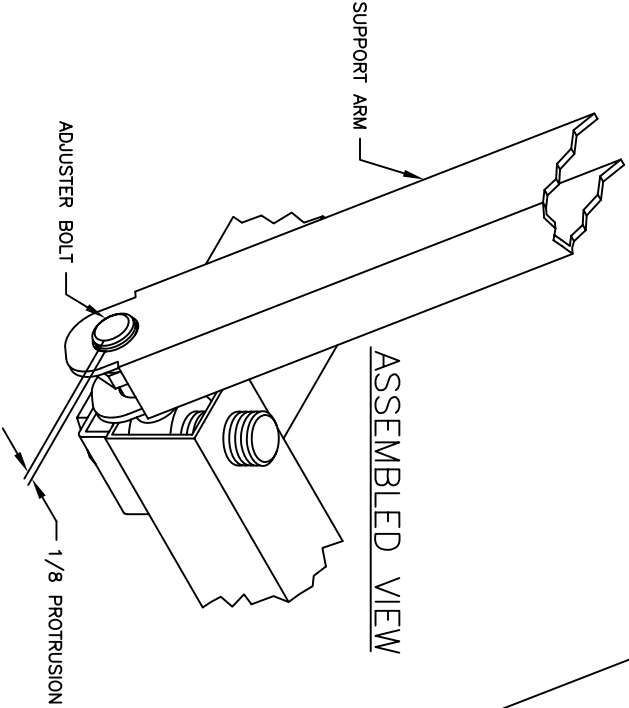
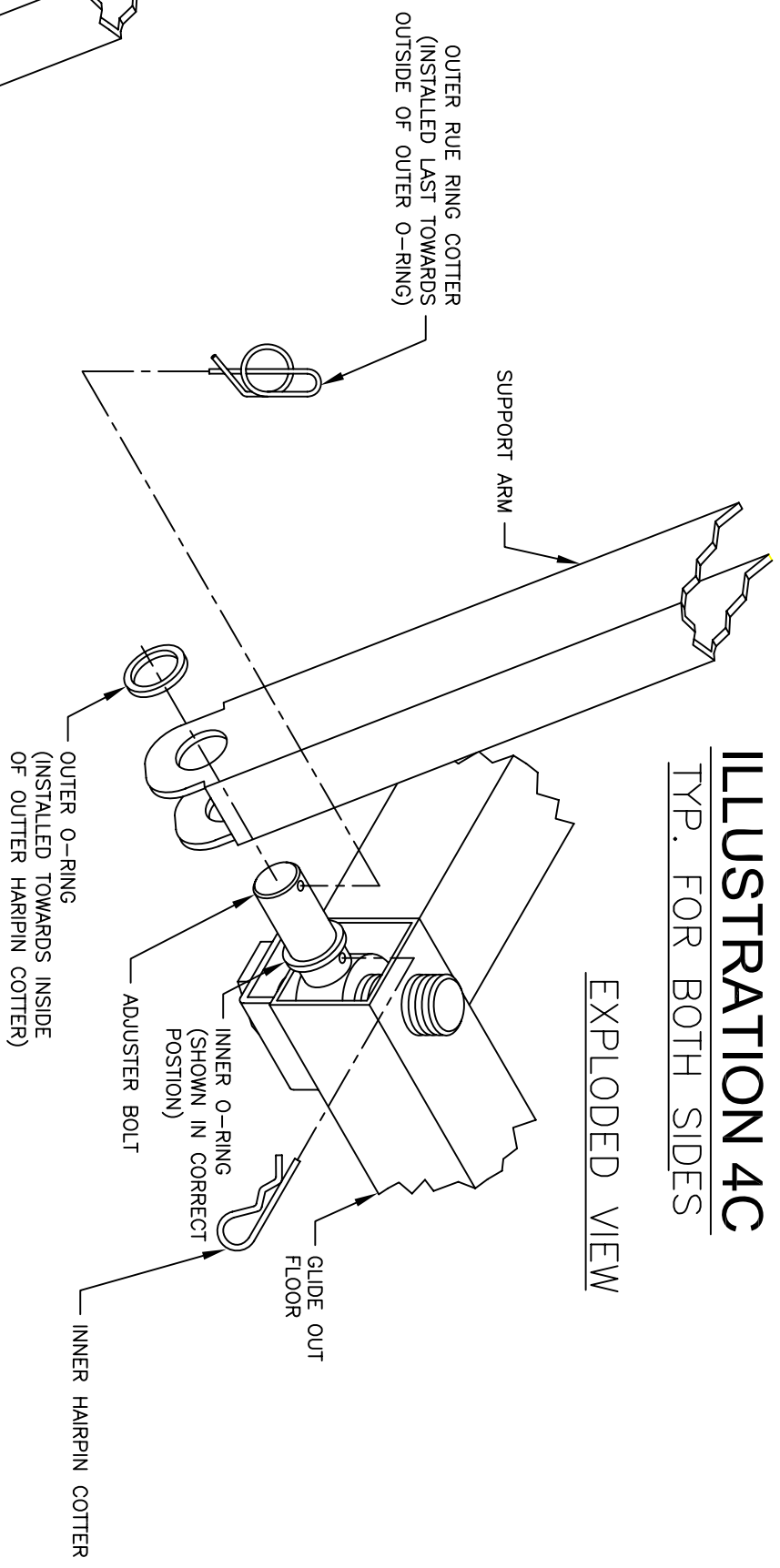


ILLUSTRATION 4B

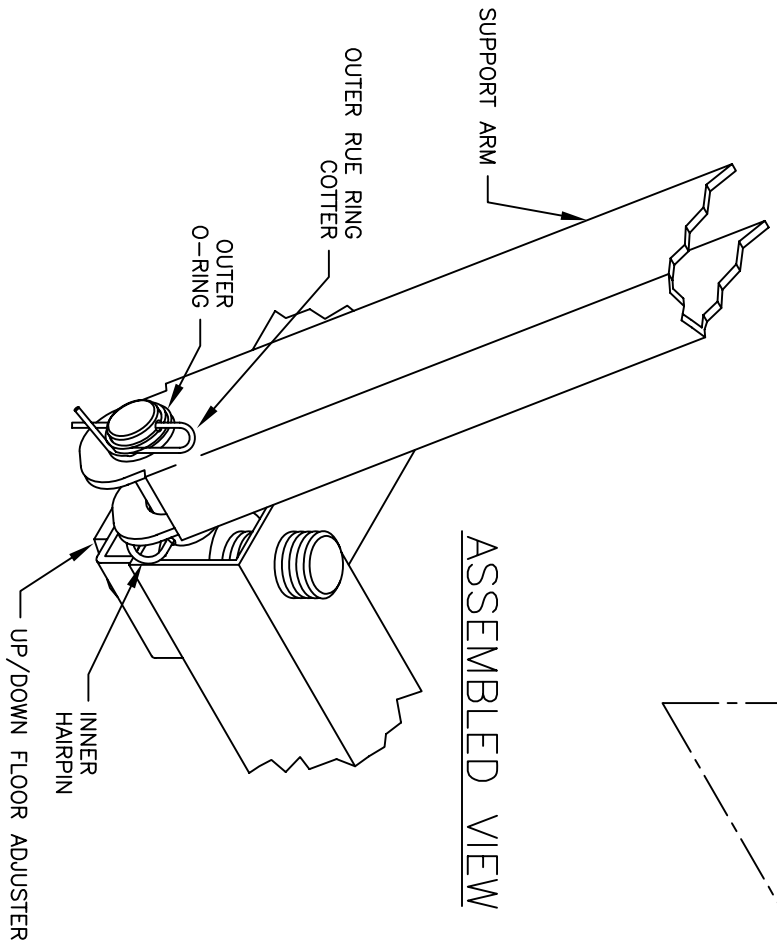
ILLUSTRATION 4C

TYP. FOR BOTH SIDES

EXPLODED VIEW



ASSEMBLED VIEW



STACK-UP VIEW 2X SCALE

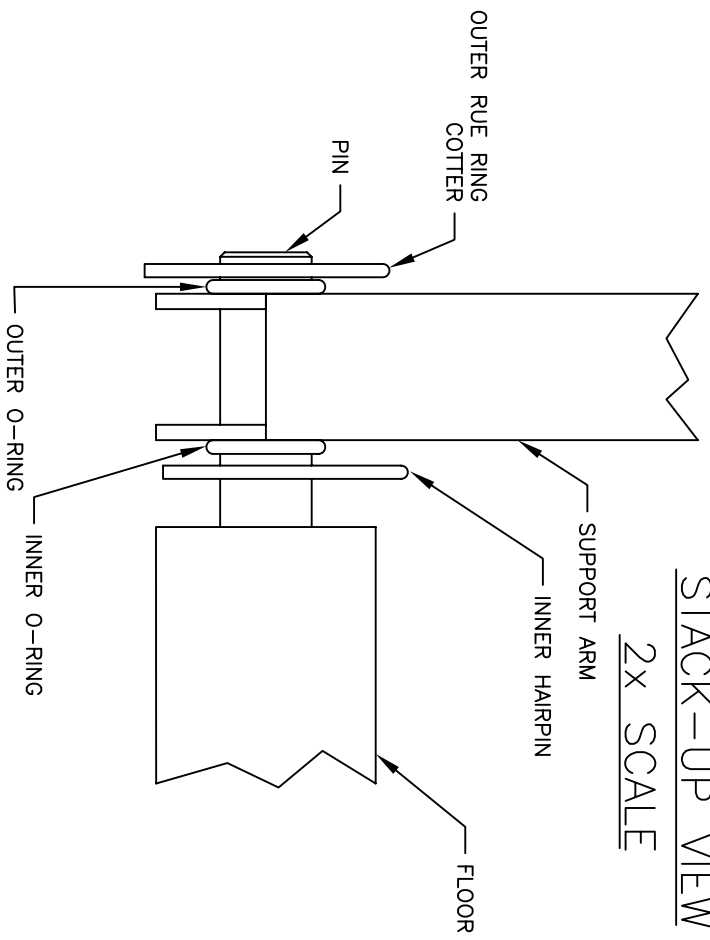
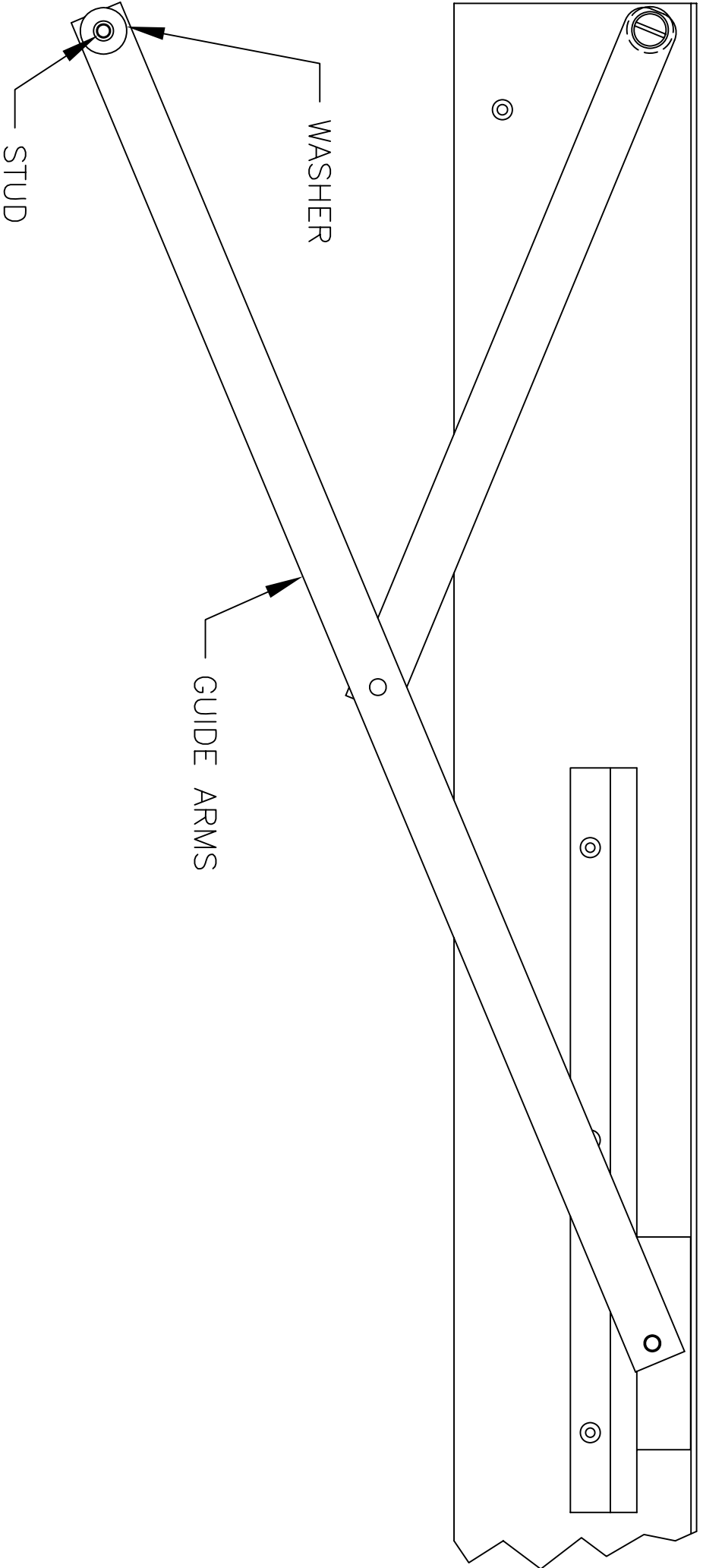


ILLUSTRATION 5
(IF EQUIPPED)



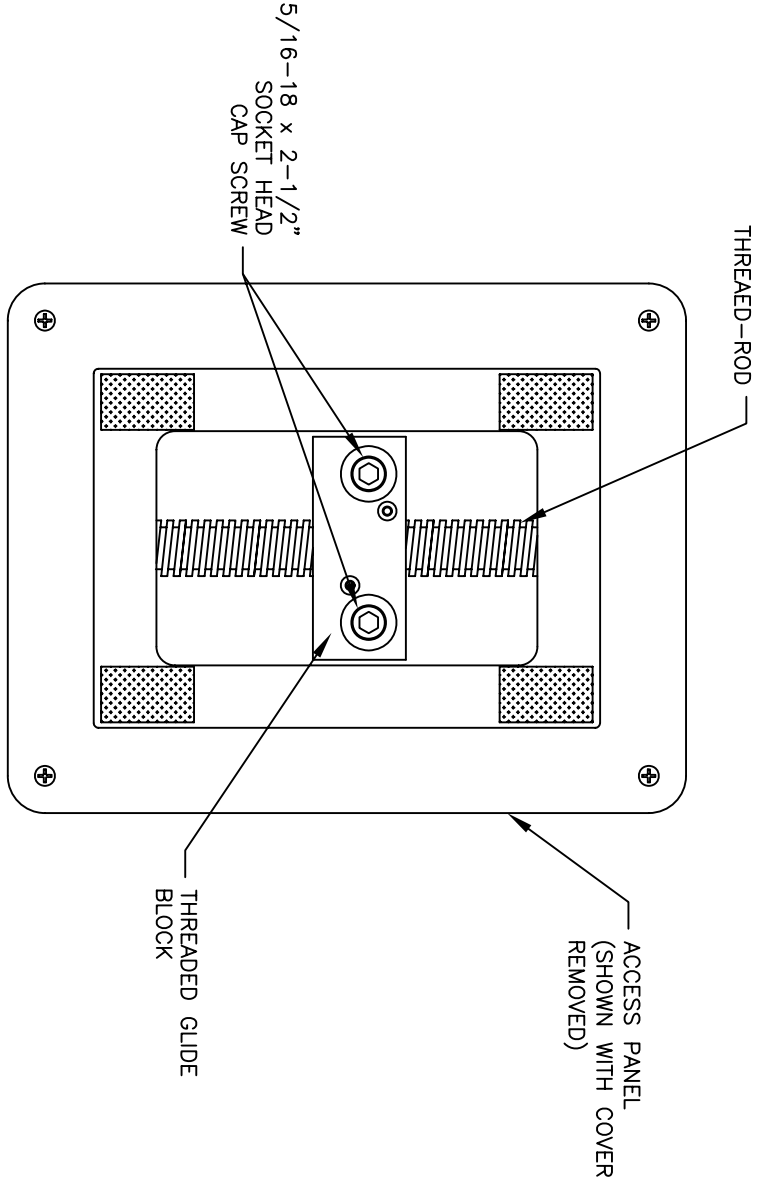


ILLUSTRATION 6A

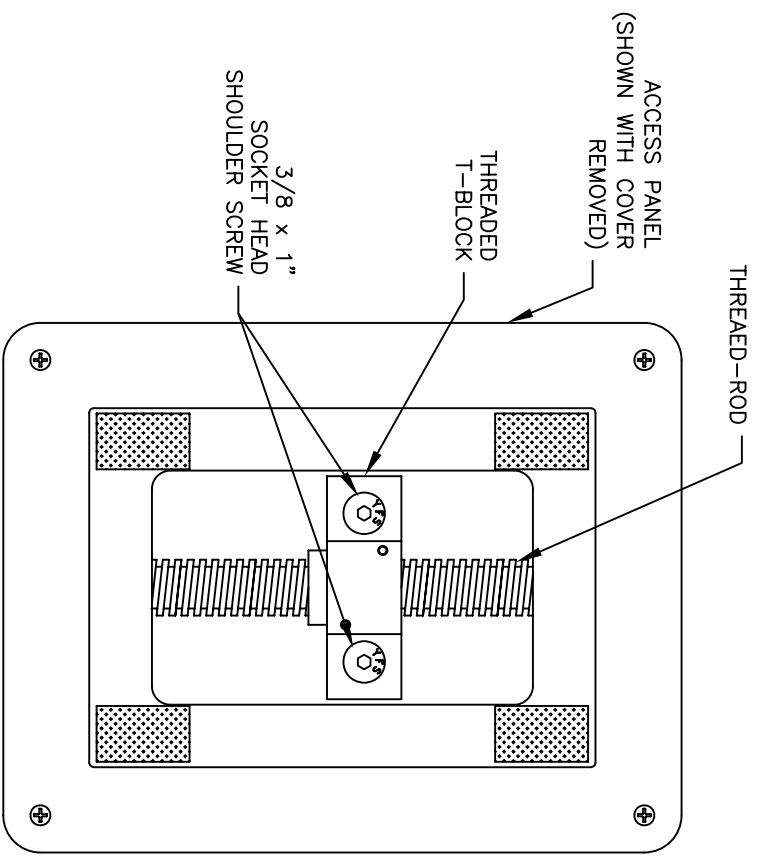
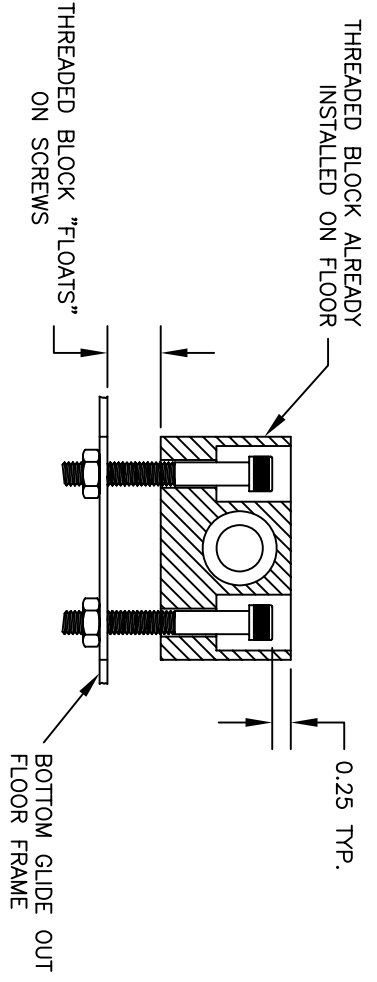


ILLUSTRATION 6B

