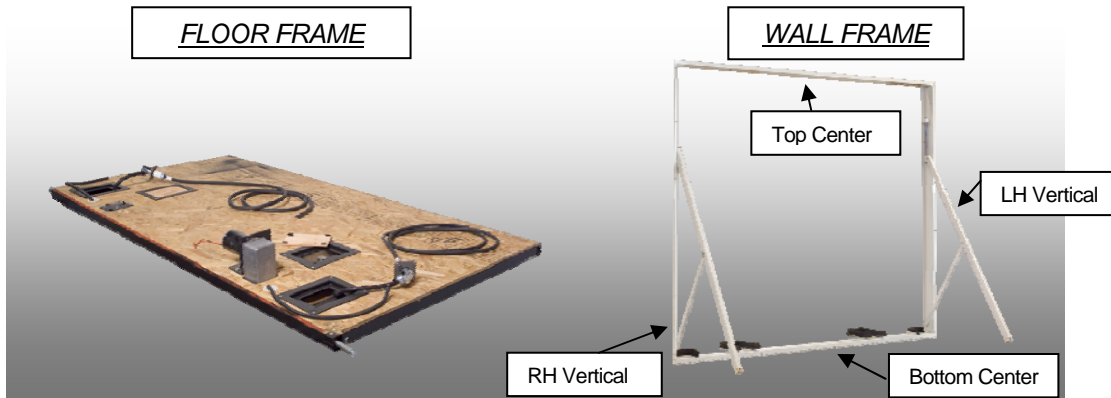


24076 Reedy Dr.
 Elkhart, IN 46514
 (574) 266-5551 (Office)
 (574) 206-9296 (Fax)

MOTORIZED ROLLER AND TOUCHLESS SLIDE OUT ROOM
INSTALLATION AND
RECOMMENDATION MANUAL #400500



1. Construct the rough opening (i.e. R/O) for wall frame into unit in which the Slide out will be installed. Liftco determines the correct height and width dimension for this cutout for each individual size floor. Bottom location of R/O for wall frame is based on the finish material used as follows:

<u>Finish Material</u>	<u>Bottom R/O Location</u>
Carpet (3/8" thick max. compressed)	Sub Floor
Linoleum	Sub Floor or Top of Material
Wood	Top of Material
Tile	Top of Material

Note: *If a sill (i.e. "shim" / over wheel well) is used on bottom of R/O, opening is based on top of sill .

*If carpet *and* another type of finish material are used, Bottom R/O Location is at the top of finish material.

2. Install outer walls to Slide out floor. Note: Do not add more than 1/4" of siding material to each end of floor (see illustration 1A for R/O with 6-inch over-floor size or illustration 1B for R/O with 4-1/2 inch over-floor size). Walls must be square all around. It is recommend that the outer & inner wall be tapered (i.e. slanted) inward approx. by one to two degrees (1/2" to 3/4" at top) to help in the sealing of the unit after travel.
3. For attaching verticals of wall frame into unit's rough opening, remove any carpeting from the location that the bottom of the vertical will be resting upon. Remove any

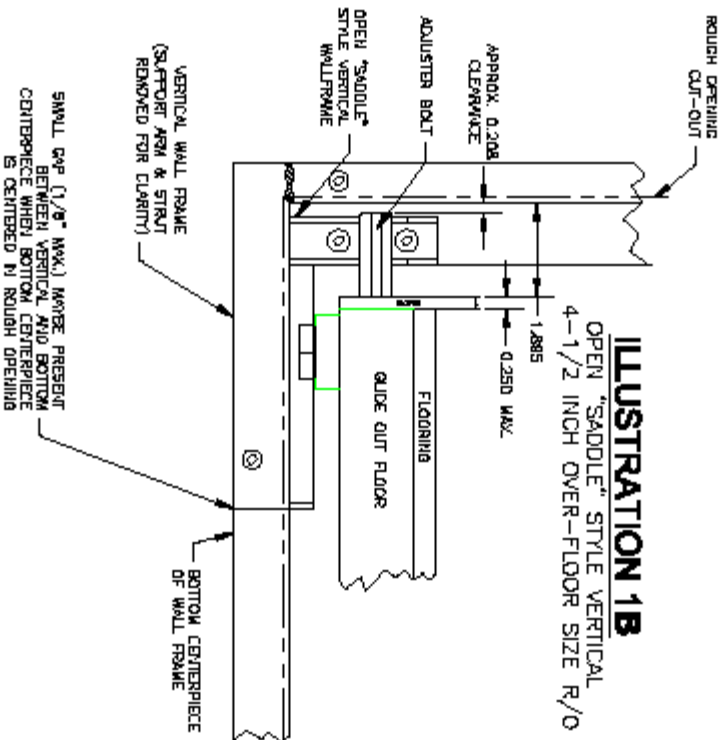
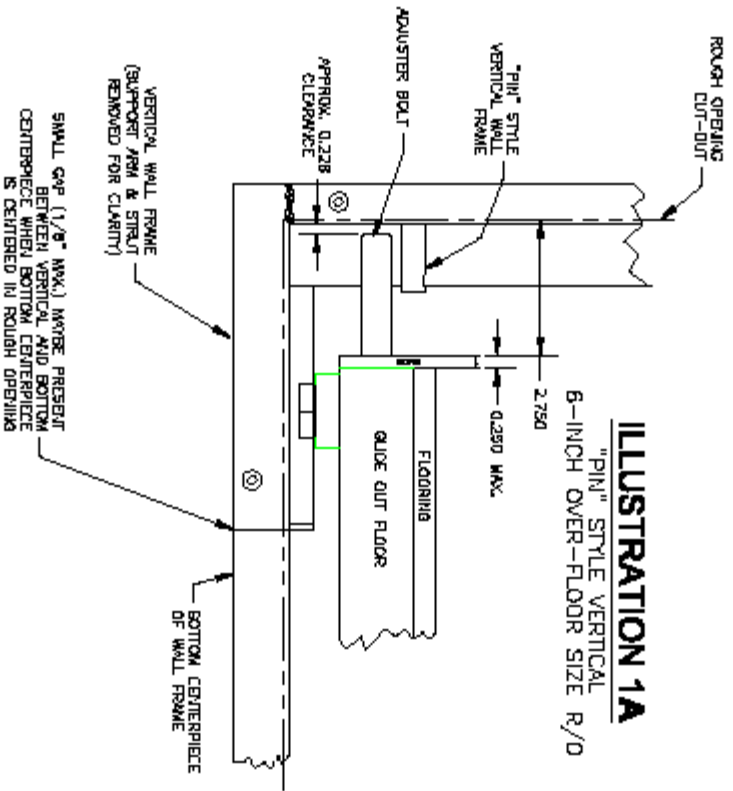
radiused material in all corners that may prevent vertical from sitting square into R/O. Be sure the verticals are pressed tightly against rough-opening cutout. A caulk or seal is recommended where Slide out frame meets unit wall. Fasten verticals to unit with appropriate mounting screws into all through holes provided in wall frame pieces.

4. For attaching the bottom centerpiece of wall frame, remove any carpeting from the location that the entire bottom centerpiece of wall frame will be attached to the sub-floor. One-inch diameter relief hole(s) must be provided first for centerpiece press nuts that are located on the bottom of the centerpiece wall frame (see illustration 2). Entire bottom centerpiece must sit even on unit. A caulk or seal is recommended where Slide out wall frame meets unit wall. Fasten bottom centerpiece to unit with appropriate mounting screws by first using the through holes located on the top of the frame piece. Continue fastening piece to unit by using the through holes located on the front of the bottom centerpiece. **Be sure to anchor down each "tab" of the bottom centerpiece** using the through holes provided on top of each tab. If over a wheel-sill each tab **must be at sill level and supported from below being sure both the support and tabs are anchored securely.**
5. Install the top centerpiece in a similar fashion as the bottom centerpiece.
6. Standard installation of electrical If electrical in Slide out floor is supplied (AC, DC or AC/DC), 1-3/4" diameter hole(s) need to be drilled for electric cables (see illustration 2). The elbow mounting plate must be mounted as close to the wall frame centerpiece as possible. Horizontal location(s) for electrical elbow plate(s) needs to be placed directly under the "centerline" of wipe seal(s) that are attached on bottom of Slide out floor. This dimension varies which is dependant on each different floor style and may be obtained by contacting Liftco directly, if need be. Electrical elbows will protrude through the wipe seal(s) and into the Slide out floor. *Note: The dimensions stated above and shown in Illustration 7 are based upon a standard electrical installation procedure. Certain floor layouts may warrant a slightly different mounting location and will be determined by Liftco.*
7. Note condition of main unit sub-floor. Note correct and incorrect condition of main unit sub-floor (See illustration 5). Main unit sub-floor must be perpendicular to Slide out vertical wall frame. This is to insure proper Slide out seal adjustment(s).
8. Raise Slide out room to level of opening. Move room close enough to start electric cable(s) into proper hole(s) in main sub-floor.
9. Touchless slide outs only. Attach the inner support arms by re-inserting the arm pin and *inner* hairpin cotter, back into each side of the floor. Be sure inner hairpin cotten protrudes into arm pin support, through the arm pin and protrudes securely through other side of arm pin support. Slide support arm onto arm pin. Re-insert outer hairpin cotter securely through hole of arm pin. See illustration 4 for this process.
10. To attach outside support arms from wall frame to Slide out room adjuster I-bolts, remove both the outer ring cotter pin and one rubber O-ring (if supplied) located on each adjuster bolt(s). Slide arm(s) onto adjuster bolt(s). If equipped, be sure one of the two O-rings is between the inner hairpin cotter and the support arm. Slide the

outside O-ring (if equipped) into adjuster bolt and re-insert outer ring cotter pin securely through outside hole of adjuster bolt (see illustration 4)

11. If electrical in Slide out floor is supplied (AC, DC or AC/DC), with room at least halfway in, finish pulling electric cables through main unit sub floor. Do not allow any twists to remain in the cable above the elbow. Twists must be taken out before attaching elbow plate to main unit floor (see illustration 7). When installing electrical cables through main floor, special care must be taken to not put or leave a twist or kink in the cable that remains in the Slide out floor. The pay out cable must lay flat inside the Slide out floor. Screw down electrical base plate to units sub floor in correct orientation as indicated by decal placed on inside of wooden access cover for each electrical. Care must be taken to ensure correct orientation of base plate for proper operation.
12. Push Slide out room far enough into coach until the glide blocks are positioned over the wall frame bottom centerpiece (see illustration 6). Install the 3/8" socket head shoulder screws (located in supplied bottom center) into the threaded T-blocks (see illustration 6). This is to anchor the threaded block to the press nuts located on the centerpiece wall frame tab(s). When these bolts are installed for a final installation, a mild lock tight should be used to keep bolts from backing out. Snuggly tighten these all the way down. The threaded T-block(s) must be able to "float" up and down with the adjustment of the Slide out room seal adjustment(s).
13. Touchless slide outs only. On one end of the Acme threaded rod, the manual crank access hole is located on the outward edge of floor (which end is dependant on type and style of floor requested). An access hole through the finish material (i.e. outside trim molding, inside wood trim, carpet, etc.) must be put in place to gain access to the manual crank system (see illustration 10).
14. Finish installation of wipes and seals inside and outside as necessary. The style and type of seals used is up to the Slide out installer.
15. Use Slide out room floor adjusters at each end of floor for proper seal (see illustration 4). Floor roller(s) for semi-touchless and roller slide out can also be moved up or down a hole (1/4") to aid in seal adjustment (see illustration 5). For detailed adjustments of glideout, see Liftco Adjustment Manual #400011.
16. Make all remainder electrical connections as needed. If the Switch or controller is supplied with the Glide Out Room, the mounting location of the Control Unit and wall switch is up to the Glide Out installer. However, it is recommended that the Switch or Control Unit be mounted near the motor to minimize the length of heavy gauge wire used.

NOTE: whatever type of switch / controller is used; the MOTOR must keep 12 volts during operation.



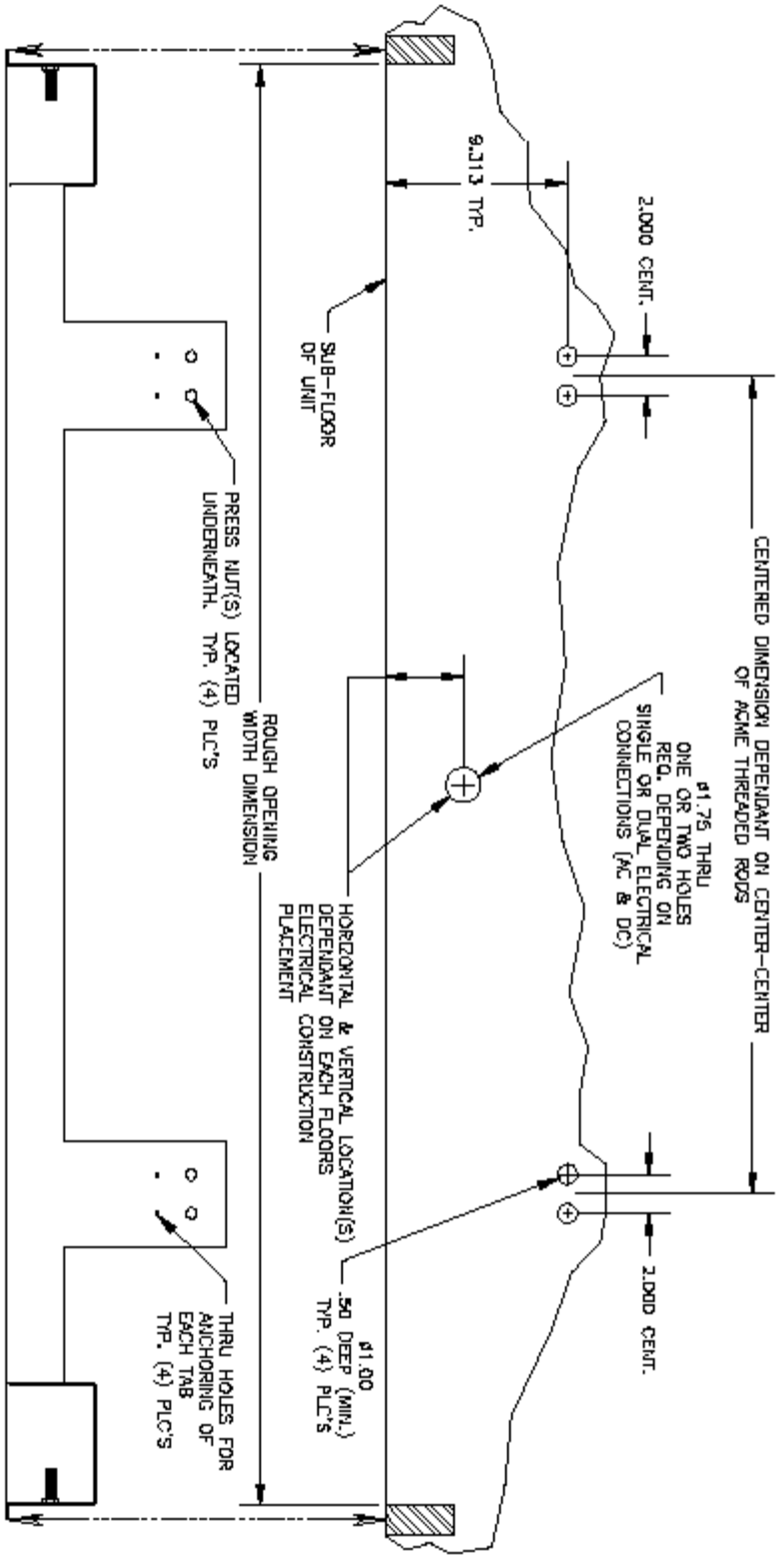


ILLUSTRATION 2

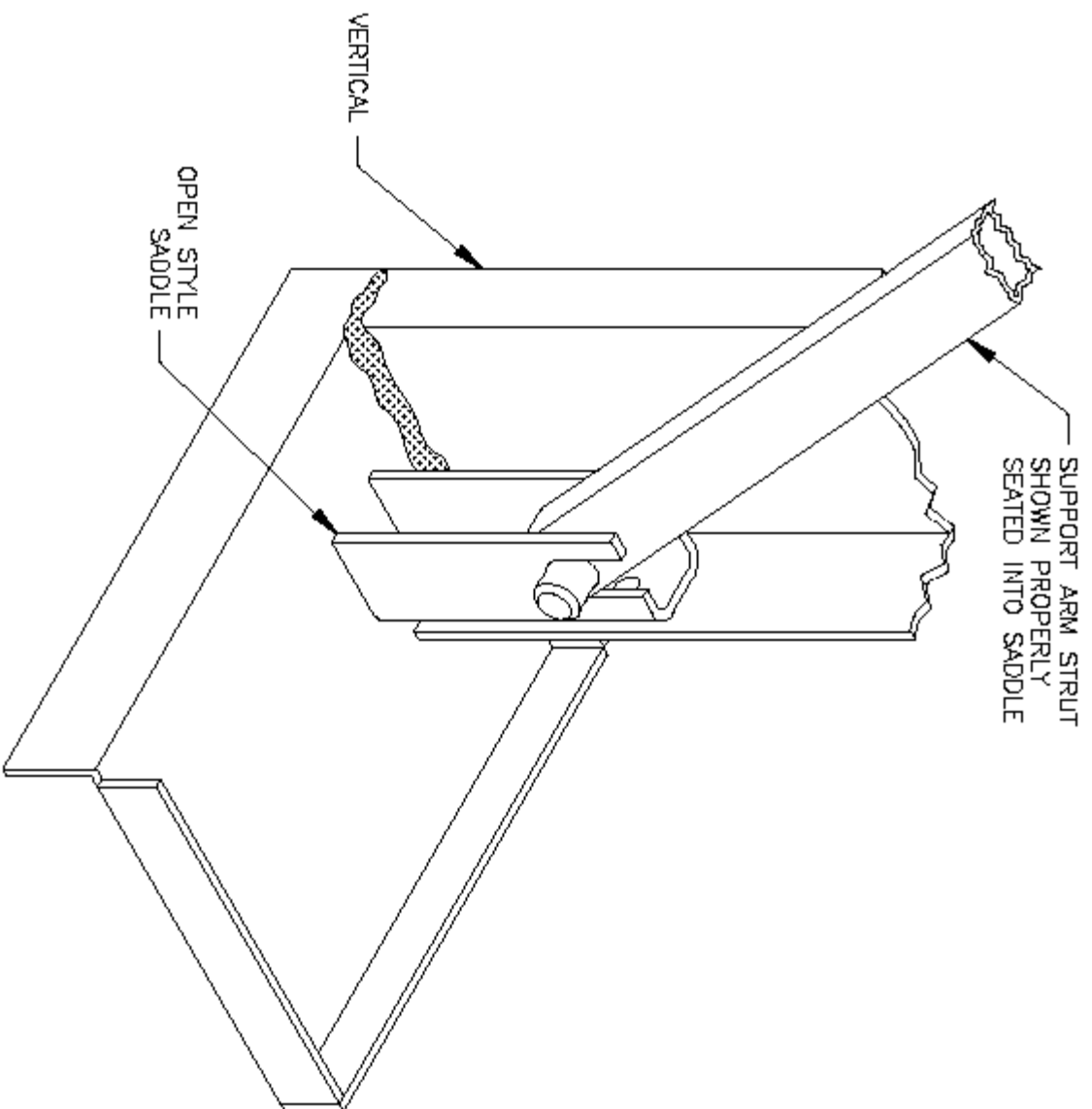
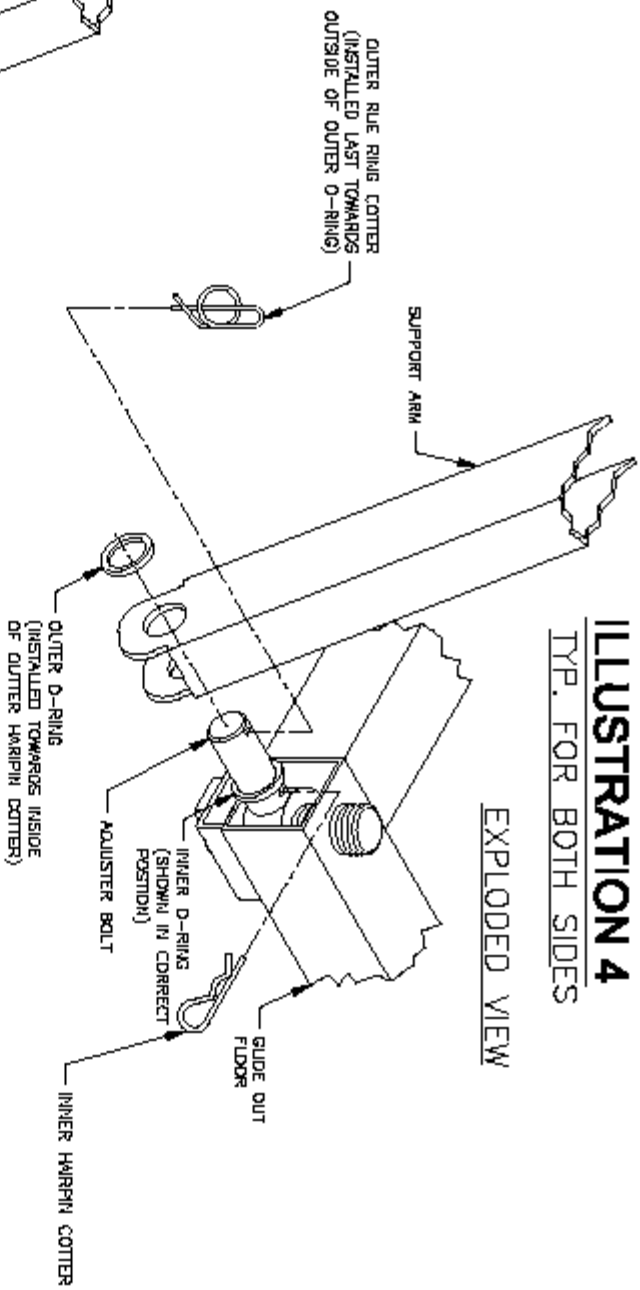


ILLUSTRATION 3

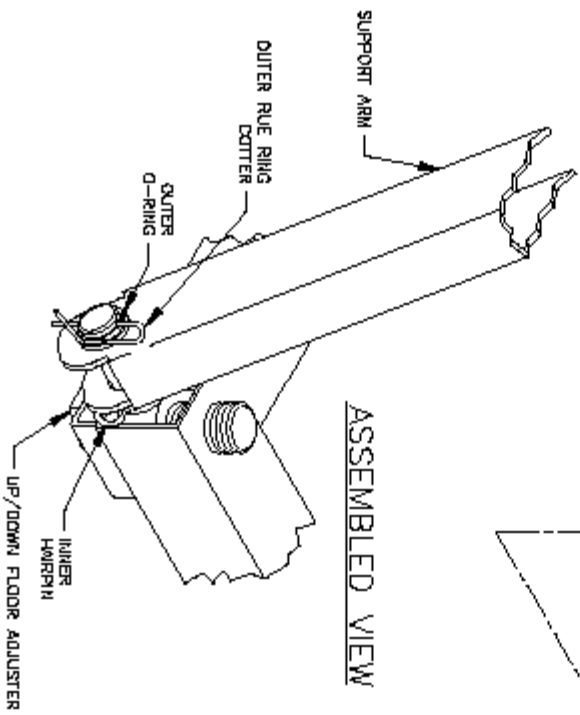
ILLUSTRATION 4

TYP. FOR BOTH SIDES

EXPLODED VIEW



ASSEMBLED VIEW



STACK-UP VIEW
2x SCALE

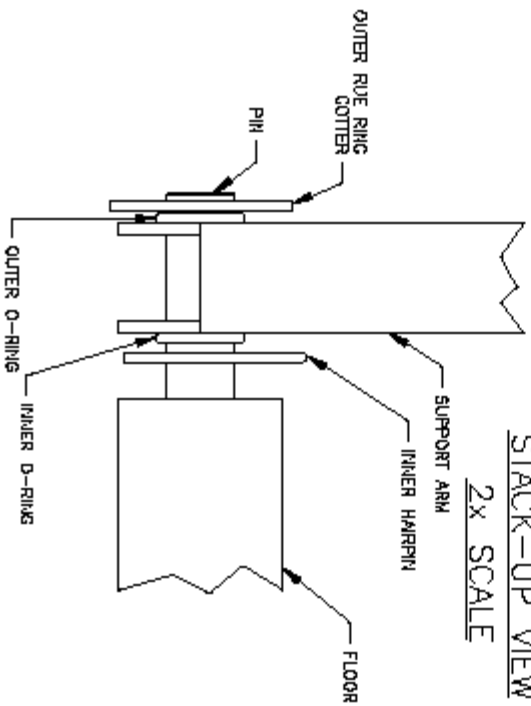
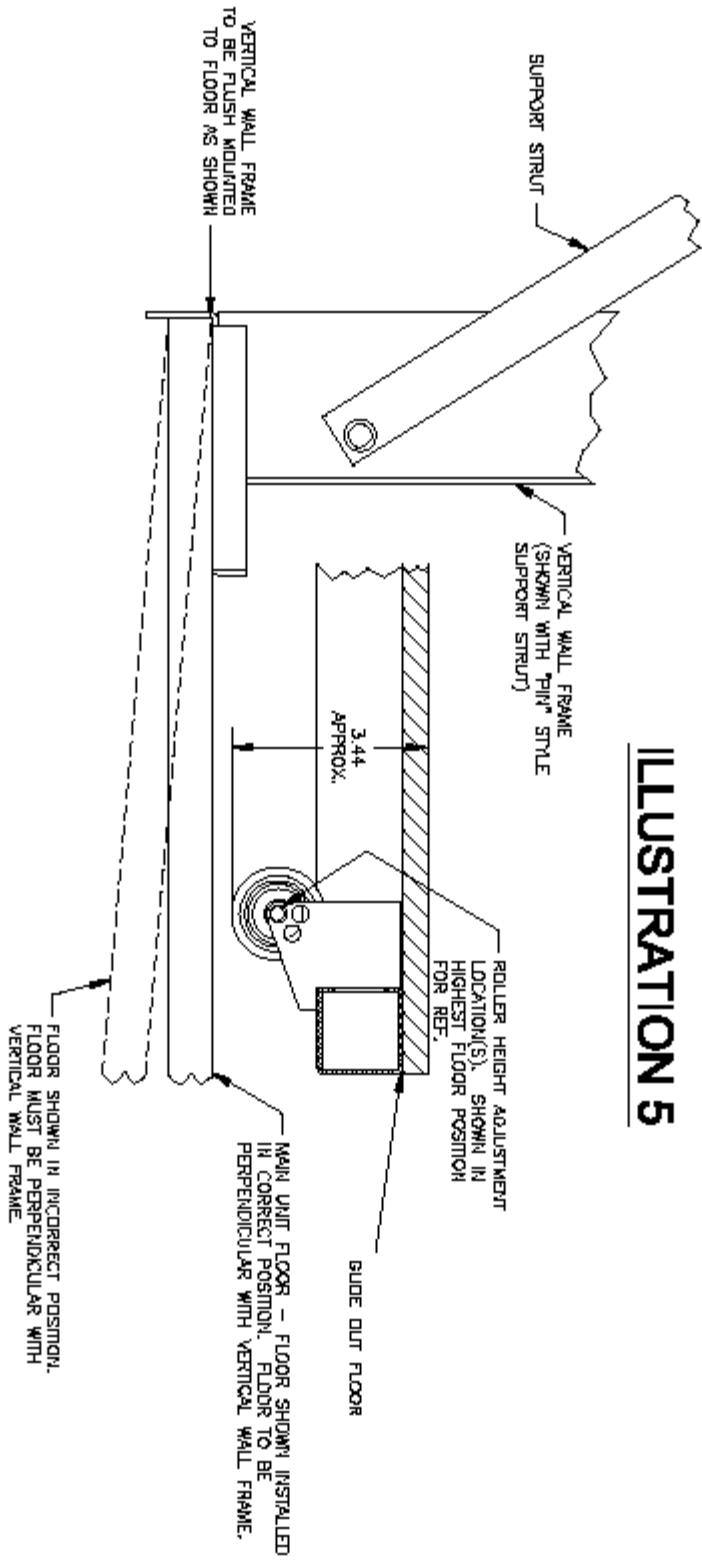


ILLUSTRATION 5



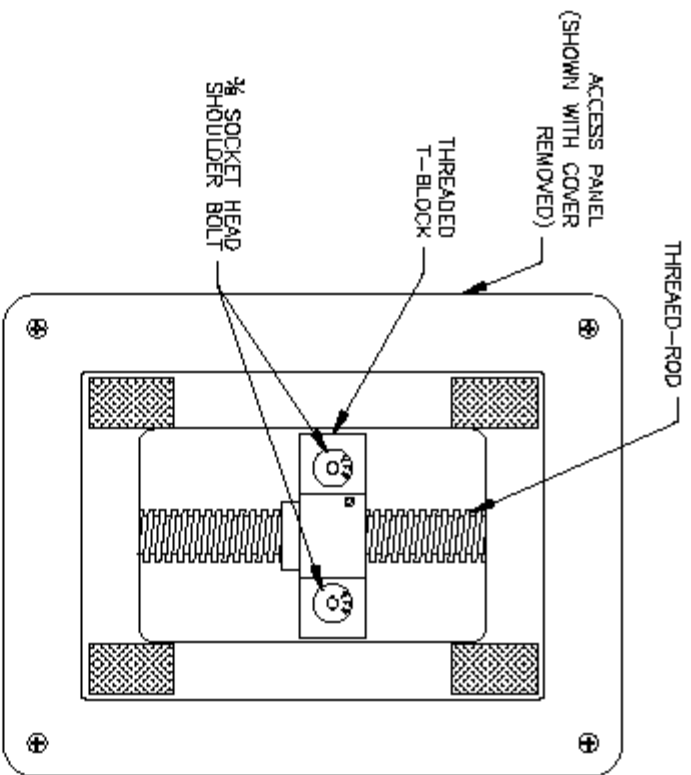


ILLUSTRATION 6

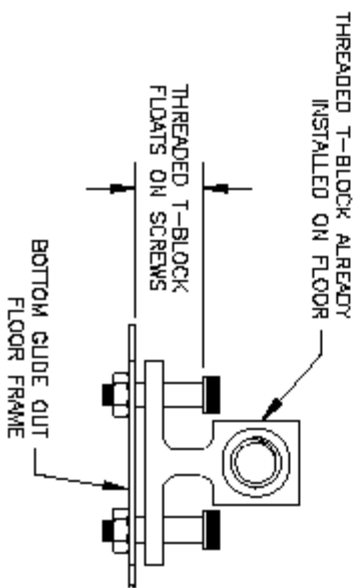


ILLUSTRATION 7

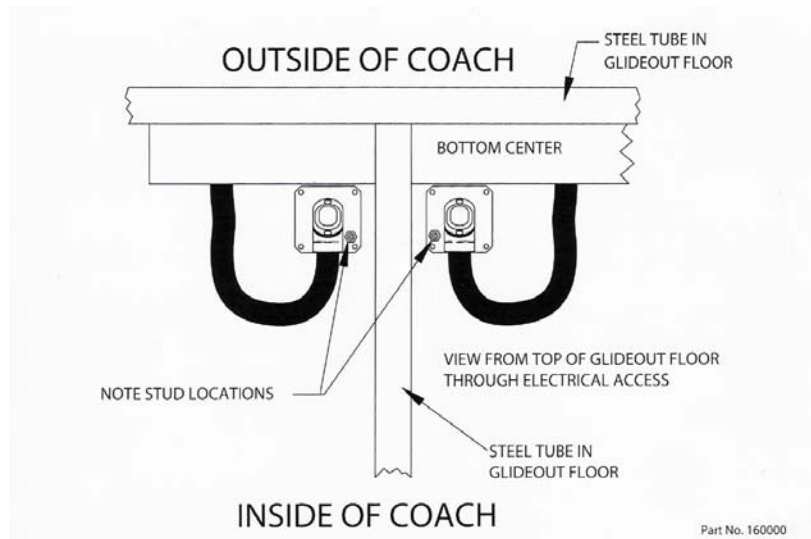
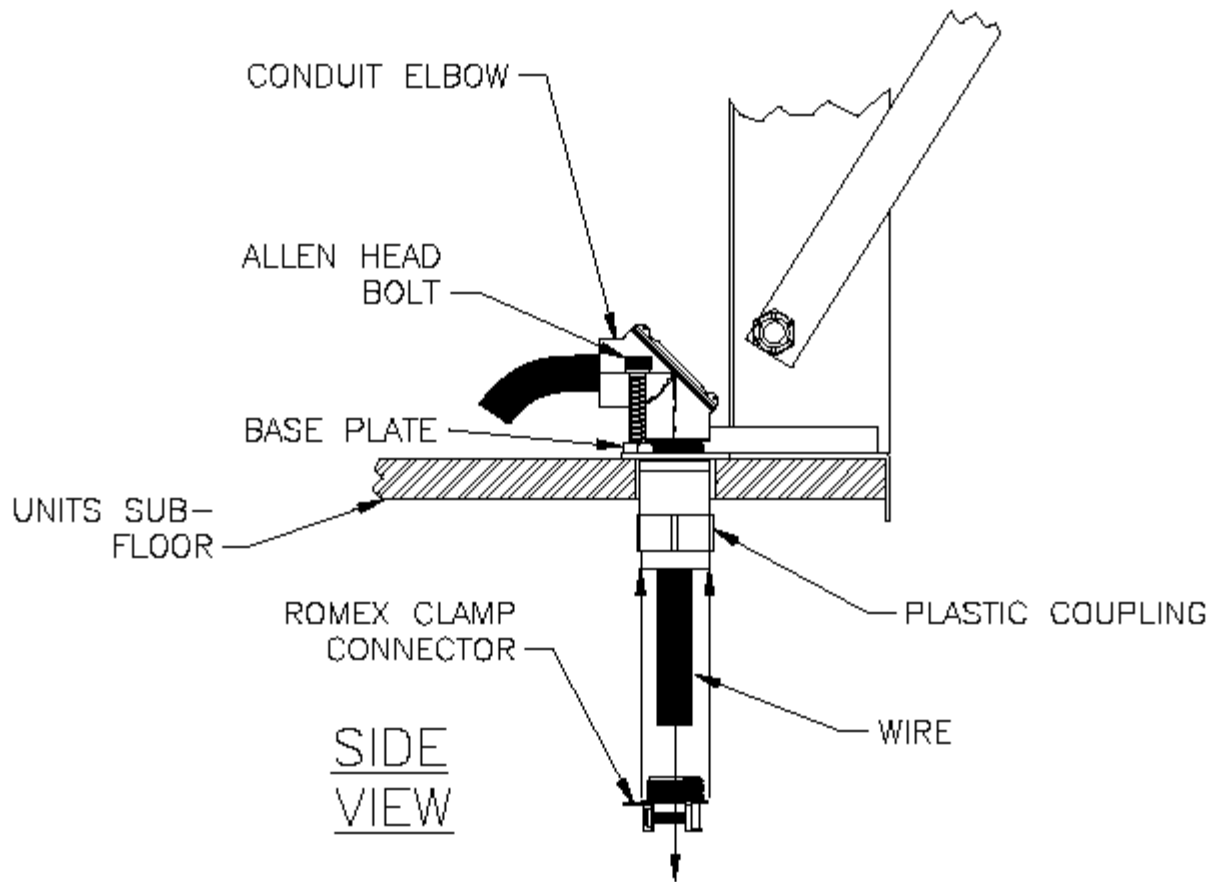


ILLUSTRATION 10

NOTE: ILLUSTRATION SHOWN FOR INSIDE ACCESS FOR MANUAL DRAIN. DEPENDING ON STYLE AND TYPE OF FLOOR, ACCESS MAY BE LOCATED ON OUTSIDE OF FLOOR.

